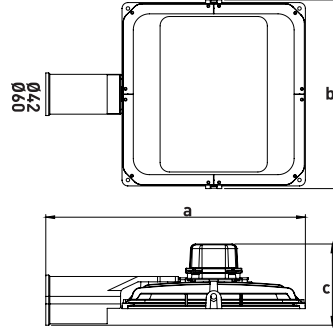


Nairo Ex-Proof Road and Street Luminaires

Main Dimensions / Installation Dimensions

Body	Aluminum Injection with electrostatic coating
LED	SMD Mid Power
Optic	IK 80 standard compliant, heat and impact resistant, high transmission, clear tempered glass
Driver	ENEC certified
Gas Explosion Protection	Zone 2
Dust Explosion Protection	Zone 22



	axbxc
50W	485x352x152mm
75W	485x352x152mm
100W	485x352x152mm
125W	485x352x152mm
150W	485x352x152mm
175W	485x352x152mm
200W	485x352x152mm

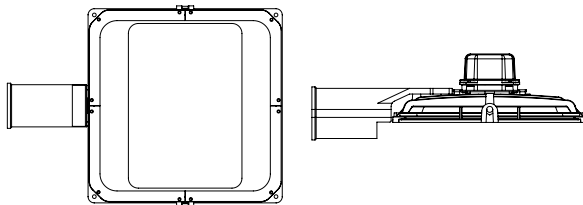
Power (W)	Type	Colour Temp. (K)	Dust Explosion Protection	Gas Explosion Protection	Weight (Kg)	Ral Code
50	LED	3000/4000/6500	Zone 22	Zone 2	8	1023
75	LED	3000/4000/6500	Zone 22	Zone 2	8	1023
100	LED	3000/4000/6500	Zone 22	Zone 2	8	1023
125	LED	3000/4000/6500	Zone 22	Zone 2	8	1023
150	LED	3000/4000/6500	Zone 22	Zone 2	8	1023
175	LED	3000/4000/6500	Zone 22	Zone 2	8	1023
200	LED	3000/4000/6500	Zone 22	Zone 2	8	1023

Nairo Ex-Proof Road and Street Lum. INSTALLATION SPECIFICATIONS

Installation Specification:

- Luminaire operating voltage and grid voltage should be same (220-240V / 50-60Hz)
- Before the electrical connection of the luminaire is made, a board must be hung on the panel to ensure that the grid voltage and connection work are done.
- For security reasons, make the electrical connection of the green-yellow is the grounding cable and blue is the neutral and brown is the phase. There should not be an additional cable on the luminaire.
- Then loosen the console screws.
- Fix the luminaire to the port and tighten the screws. Please check the below table for torque values.
- Check that the connections are correct.
- Energise the luminaire.

Note : The screws at the back of the luminaire must be screwed off and unlatched to enable change of consol position. Then the position of the console may be changed by screwing off the 2 screws holding the console.
- Use the additional apparatus for Ø42 - Ø60 console



Torque Table

The tooth of screw (mm)	Rotation Moment Nm	
	1	2
3,6 - 4,1 (including 4,1)	0,70	1,20
4,1 - 4,7 (including 4,7)	0,80	1,80
4,7 - 5,3 (including 5,3)	0,80	2,00
5,3 - 6,0 (including 6,0)	-	2,50
6,0 - 8,0 (including 8,0)	-	8,00
8,0 - 10,0 (including 10,0)	-	17,00
10,0 - 12,0 (including 12,0)	-	29,00
12,0 - 14,0 (including 14,0)	-	48,00
14,0 - 16,0 (including 16,0)	-	114,00

- Column 1 in the table, tightened screw, if the bolt does not protrude from the hole, the capless metal screws are applied.
- The following bolts made of 2 other metal screws or nuts and insulating materials; Keyholes are hexagonal headed screws that extend beyond the diameter of the teeth; Diagonal spacing screws with recessed slots and cylindrical heads that exceed the diameter of the teeth; Screws with a flat screwdriver channel or star-stud head whose channel length exceeds 1.5 times the diameter of the tooth.

Safety Warnings!

- The luminaire should be installed by an experienced and licensed electrician.
- The grid electricity should be turned off before installation and maintenance.
- The light source contained in this luminaire shall only be replaced by the manufacturer or his service agent or a similar qualified person.
- It is not recommended to replace separate control hardware and light source
- Disassembly of the product may damage the IP protection
- During replacement, the armature may be affected by electrostatic discharge and dirty particles.

- The luminaire should be cleaned with a soapy cloth.
- Thinner or similar flammable, harmful cleaning substances should be avoided.
- The product should be operated at a 220-240 V AC / 50-60 Hz grid.
- During the installation, there is no situation that may be dangerous or harmful to human and environmental health.
- If the external flexible cable or cord of this luminaire is damaged, it shall be exclusively replaced by the manufacturer or his service agent or a similar qualified person in order to avoid a hazard.
- The warranty period is 2 years.
- Danger risk of electric shock.