

 **Pelsan**



**WATERPROOF
LUMINAIRES**

LARGO G2

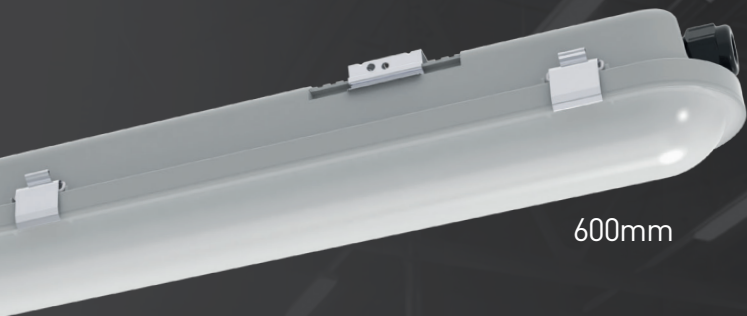
www.pelsan.com.tr

LARGO G2

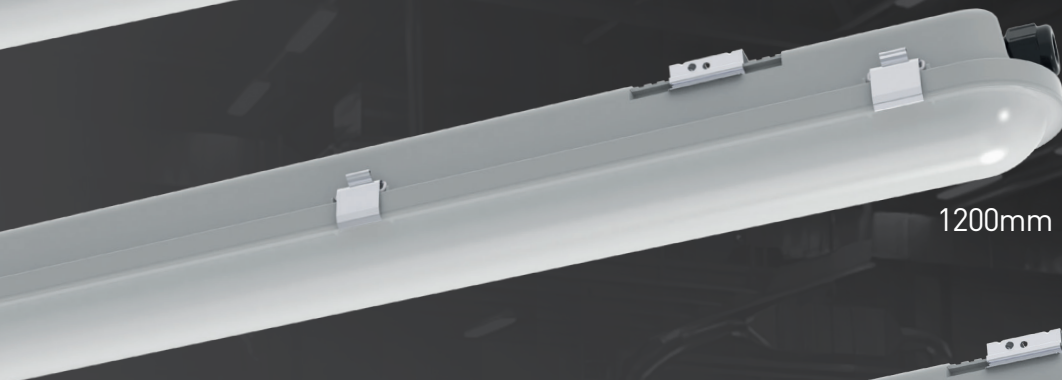
600mm

1200mm

1500mm










600mm



1200mm



1500mm

-  Wide lumen choices 1932-12400lm
-  Flexible power variety 14-100W
-  140lm/W High efficacy
-  IK08, High impact resistant PC body
-  Easy to install
-  Long-lasting performance
-  Ease of on-site maintenance

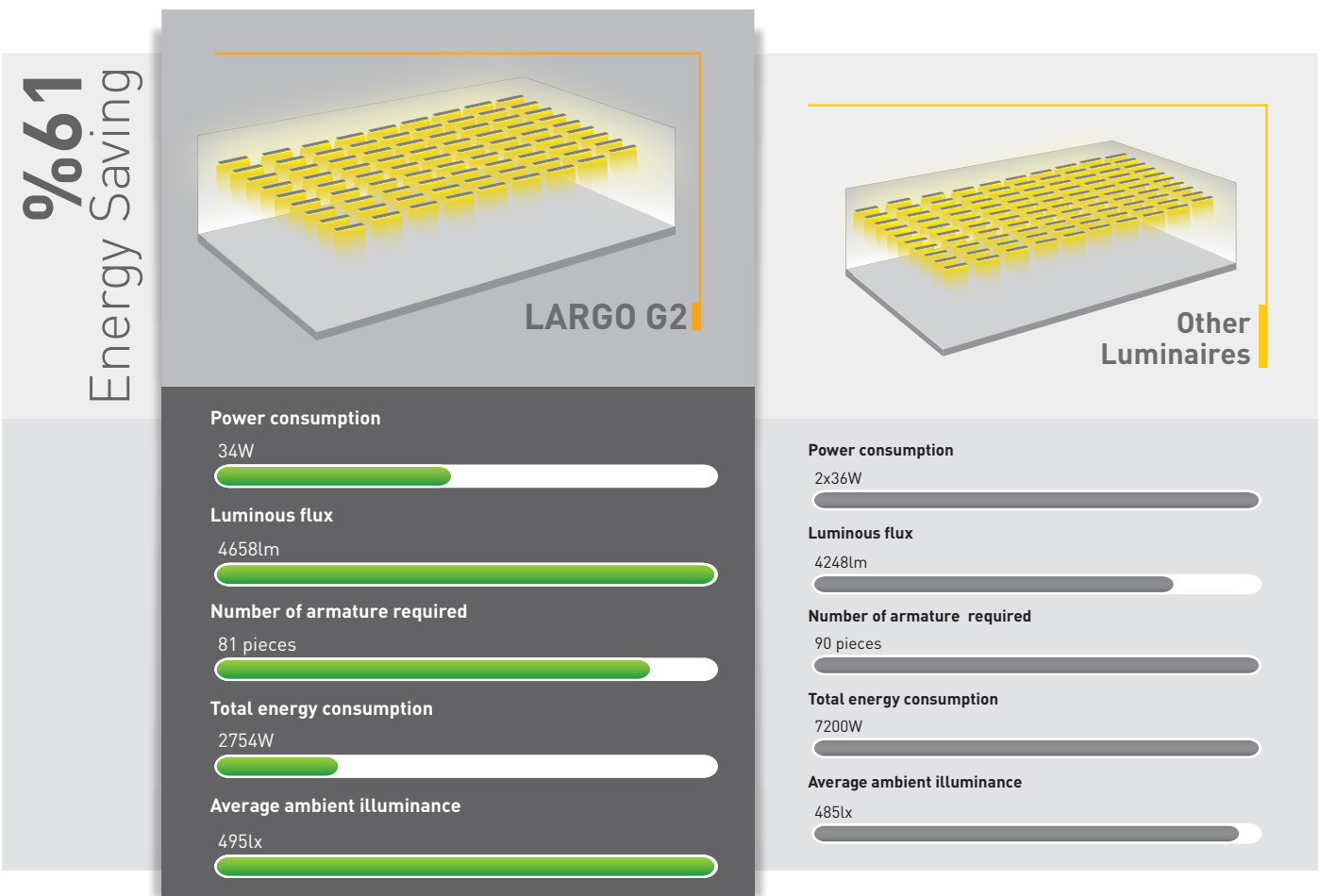
Wide Lumen Choices and Flexible Power Options

Largo G2 Waterproof offers a comprehensive solution for car parks, industrial facilities, and warehouses with a wide lumen package, designed for ceiling heights of 4-10 meters, all within a single family.

Type	Power	Luminous Flux	Efficacy	Input Voltage
Largo G2 600mm	14-27W	1932-3510lm	130-138lm/W	220-240Vac/110Vac/24Vdc
Largo G2 1200mm	26-75W	3640-9375lm	125-140lm/W	220-240Vac/110Vac/24Vdc
Largo G2 1500mm	75-100W	9675-12400lm	124-129lm/W	220-240Vac/110Vac/24Vdc

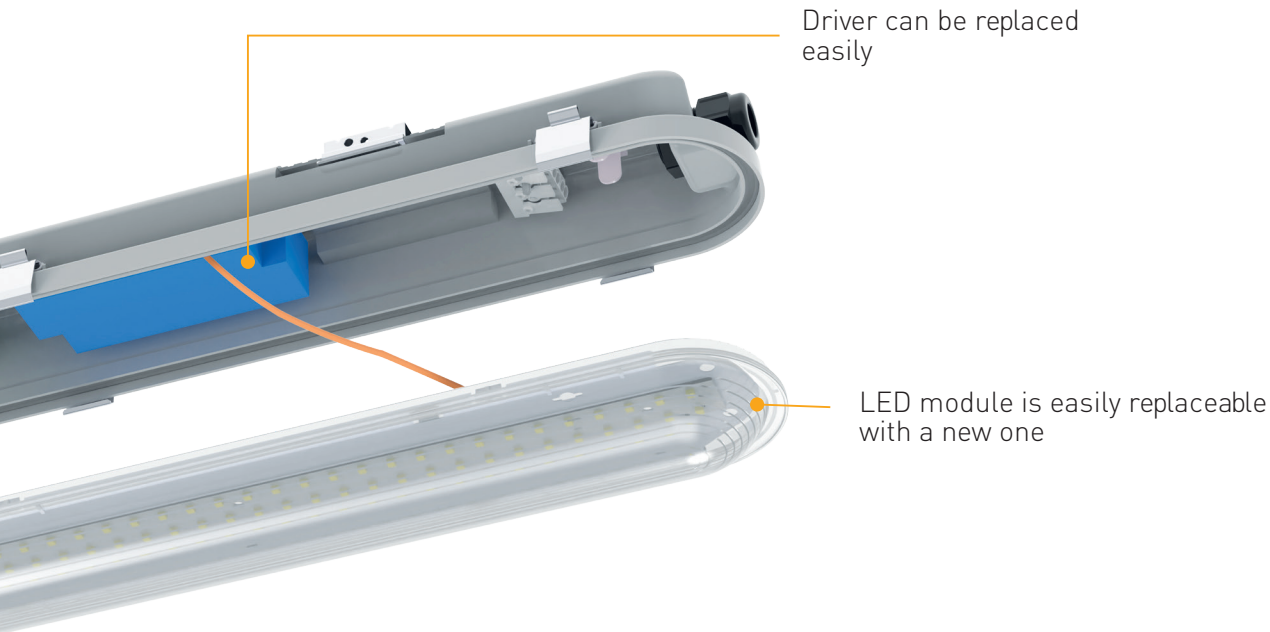
140lm/W High Efficacy

Largo G2 waterproof provides high efficacy and better wide-beam light distribution for effective lighting. A direct replacement for traditional waterproof luminaires with fluorescent lamps ranging from 1x18W up to 2x58W.

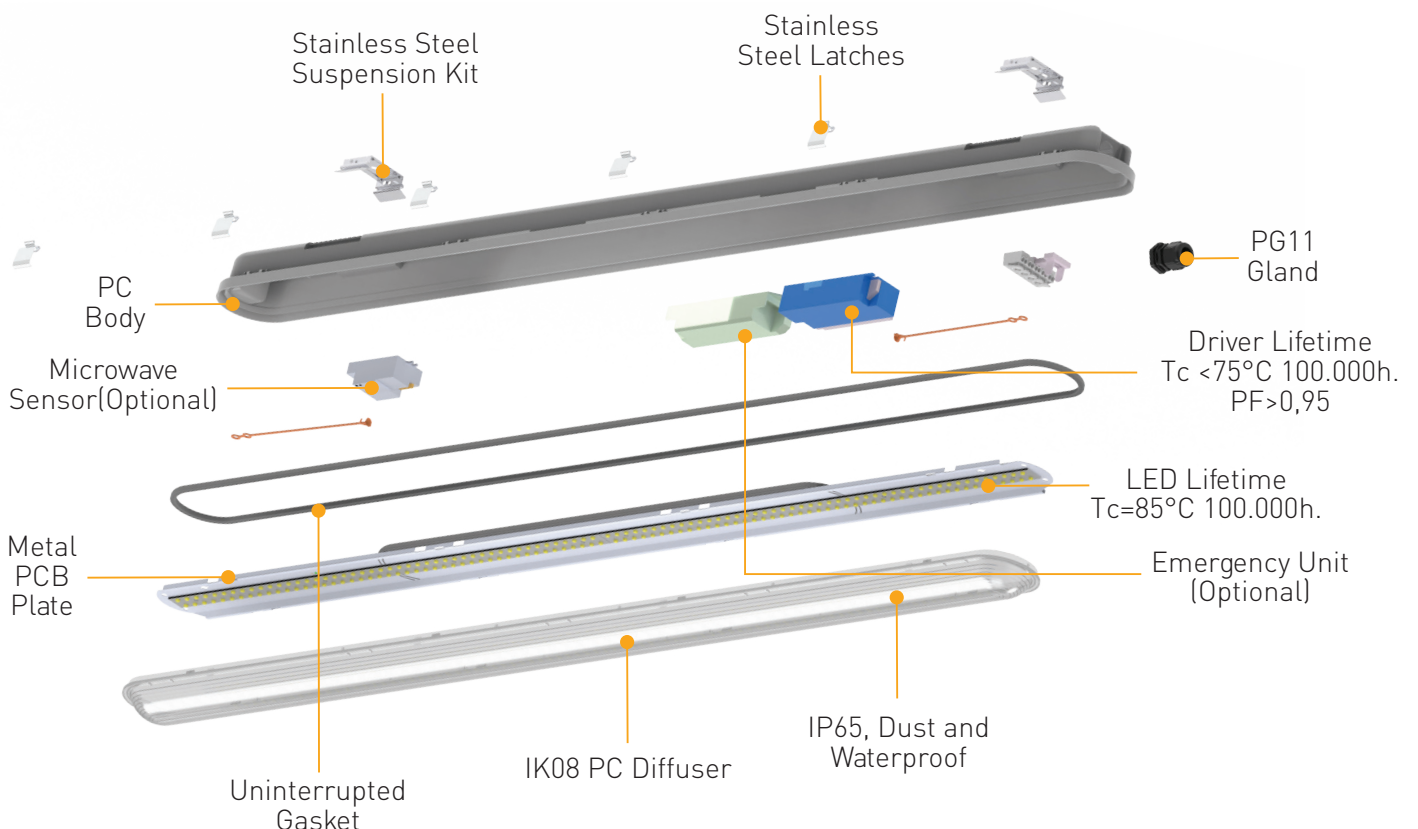


Ease of on-site Maintenance

(LED Module, Driver, Diffuser and Mechanical Parts/Emergency Unit)



Long Lasting Performance, 5 Years Warranty





Mechanical Specifications

Body	UV reinforced Polycarbonate
IP Rating	IP65
IK Rating Body	IK08
Mounting Type	Direct Mounting on Ceiling, Wall or Cable Tray
Gasket	Uninterrupted
Cable Gland	PG11
Light Source Replaceable	Yes
Serviceability Class	Luminaire is equipped with serviceable parts (when applicable): LED module and diffuser, driver and mechanical parts
Weight (kg)	1,3 - 2,45 - 3,18
RAL Code	Grey
Dimensions (mm)	610x80x75, 1150x80x75, 1500x80x75mm



Electrical Specifications

Power	14-27W, 26-75W, 75-100W
Luminous Flux	1932-3510lm, 3640-9375lm, 9675-12400lm
Efficacy	138-130lm/W, 140-125lm/W, 129-124lm/W
LED Chip and Driver Brand	Samsung - ENEC Certified Driver
LED Chip Lifetime	Tc=85°C 100.000h.
LED Driver Lifetime	Tc<75°C 100.000h.
Input Voltage	220-240Vac
Frequency	50-60Hz
Power Factor	>0,95
Operating Temperature	-20°C / +45°C
Class	I



Optical Specifications

Luminous Flux	1932-3510lm, 3640-9375lm, 9675-12400lm
Efficacy	138-130lm/W, 140-125lm/W, 129-124lm/W
Lens	-
Diffuser	Opal/Semi Opal/ Clear Diffuser
CRI	>80
Color Standard	Quarter Bin
Colour Temperature	3000-4000-6500K



Optionals

Input Voltage	120-277Vac / 110Vac / 24Vdc
DALI	Suitable
Radar Sensor	Suitable
Casambi	Suitable
Through Wiring	Suitable
Emergency Unit	Suitable



Pelsan



All your lighting needs in one adress.

www.pelsan.com.tr

info@pelsan.com.tr | export@pelsan.com.tr

HEAD OFFICE

Çerkeşli O.S.B.
İmes 5. Cadde No:12
Dilovası / Kocaeli - TÜRKİYE



[/PelsanAydinlatma](#)



[pelsan-aydinlatma](#)



[pelsan aydinlatma](#)



[/pelsanaydinlatma](#)



[/PelsanLight](#)

P : +9(0850) 460 75 76

F : +9(0216) 364 60 15