



EX-PROOF LUMINAIRES

2024

www.pelsan.com.tr



Since
1982



More than
3500 SKU



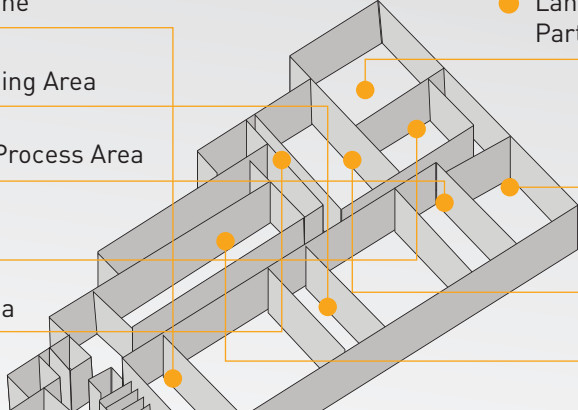
500
Employees



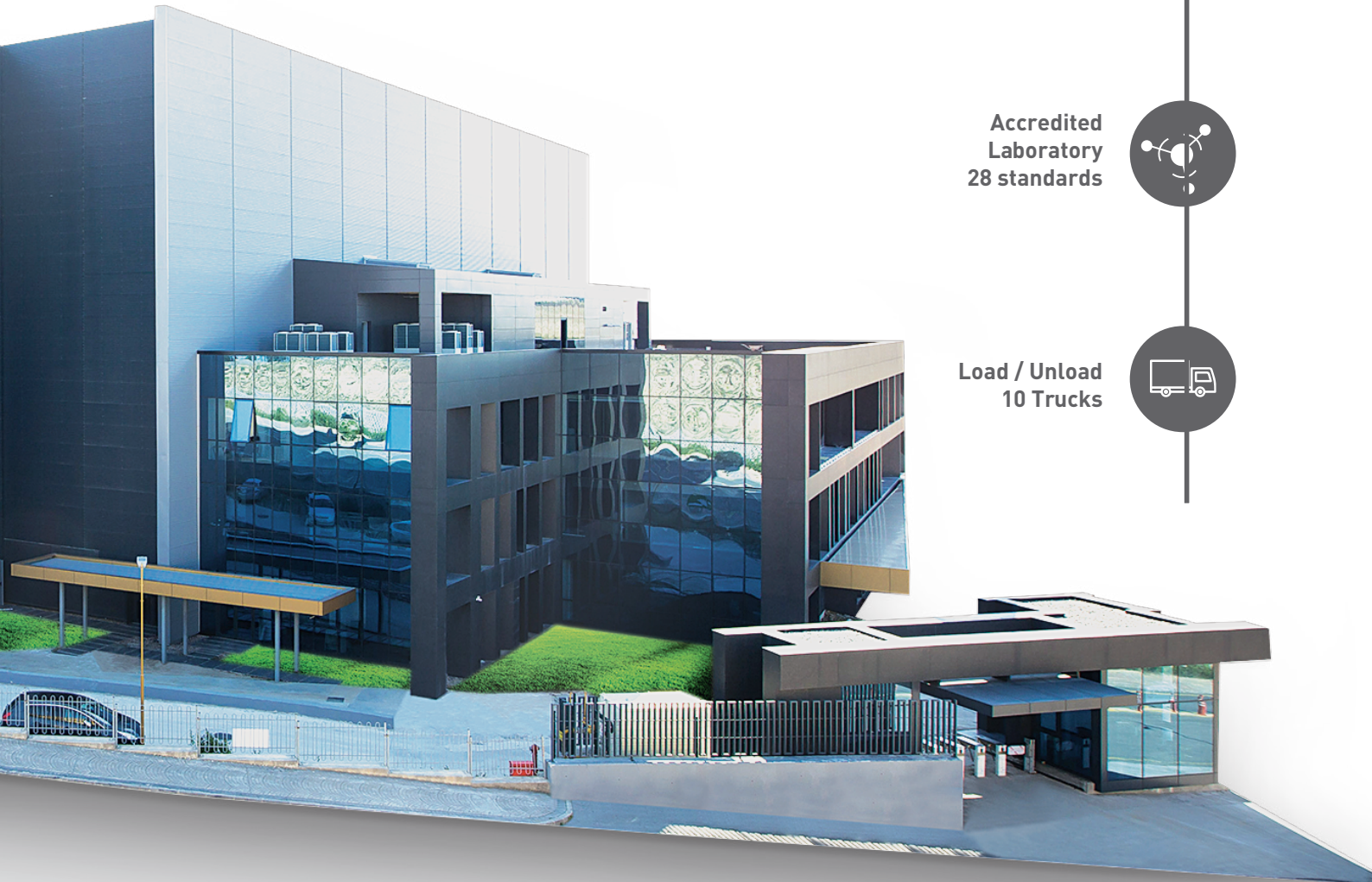
5 million luminaire
production capacity per year



Factory

- 
- Electronic Assembly Line
 - Plastic Injection Moulding Area
 - Semi-Finished Goods Process Area
 - Moulding Area
 - Diffuser Treatment Area
 - Landscape Lighting Fixture Parts Manufacturing Area
 - Glass Reinforced Polyester (GRP) Product Manufacturing Area
 - Powder Coating & Painting Area
 - Assembly Line
 - Office

30000 ^{m²} **Manufacturing Zone**



R&D Center
15 Engineers



Accredited Laboratory
28 standards



Load / Unload
10 Trucks



Type Tip	Power Güç	Lumen Package Lümen Paketi	Efficacy Etkinlik Faktörü	IP Rating Sınıfı	Zone Class Sınıfı	Protection Koruma	Options Opsiyonlar
 Largo LED Waterproof / Etanj	10W - 45W	1650lm- 54950lm	110lm/W	IP65	Zone2 Zone22	II 3G Ex ec IIC T6 Gc II 3D Ex tc IIIC (T80°C) Dc	Emergency Unit
 Largo LED Tube Waterproof / Etanj	Single/ Double	-	-	IP65	Zone2 Zone22	II 3G Ex ec IIC T6 Gc II 3D Ex tc IIIC (T80°C) Dc	-
 Largo T8 Waterproof / Etanj	2x18W/ 2X36W	-	-	IP65	Zone2 Zone22	II 3G Ex ec IIC T6 Gc II 3D Ex tc IIIC (T80°C) Dc	-
 Ausled Emergency / Acil Aydınlatma	5W / 15W	500lm- 1500lm	110lm/W	IP65	Zone2 Zone22	II 3G Ex ec IIC T6 Gc II 3D Ex tc IIIC (T85°C) Dc	Exit Stickers Surface / Recessed Mounted
 Elit Lirad Floodlight / Projektör	20W - 50W	2800lm- 7000lm	Up to 140lm/W	IP65	Zone2 Zone22	II 3G Ex ec IIC T5 Gc II 3D Ex tc IIIC (T95°C) Dc	30°/60°/90° Asymmetric Lens
 Nairo Floodlight / Projektör	50W - 200W	8250lm- 28600lm	Up to 165lm/W	IP66	Zone2 Zone22	II 3G Ex ec IIC T5 Gc II 3D Ex tc IIIC (T95°C) Dc	30°/60°/90° Asymmetric Lens
 Nairo Road & Street / Yol & Cadde	50W - 200W	8250lm- 28600lm	Up to 165lm/W	IP66	Zone2 Zone22	II 3G Ex ec IIC T5 Gc II 3D Ex tc IIIC (T95°C) Dc	30°/60°/90° Asymmetric Lens
 Piroliz Canopy / Kanopi	50W - 200W	8250lm- 28600lm	Up to 165lm/W	IP66	Zone2 Zone22	II 3G Ex ec IIC T5 Gc II 3D Ex tc IIIC (T95°C) Dc	30°/60°/90° Asymmetric Lens
 Sia Highbay / Yüksek Tavan	50W - 200W	8250lm- 28600lm	Up to 165lm/W	IP66	Zone2 Zone22	II 3G Ex ec IIC T5 Gc II 3D Ex tc IIIC (T95°C) Dc	30°/60°/90° Asymmetric Lens

Type Tip	Power Güç	Lumen Package Lümen Paketi	Efficacy Etkinlik Faktörü	IP Rating Sınıfı	Zone Class Sınıfı	Protection Koruma	Options Opsiyonlar
 Atarex Highbay / Yüksek Tavan	50W- 240W	6000lm- 29520lm	120lm/W- 132lm/W	IP66	Zone1 Zone21	II 2G Ex db IIB T4 Gb II 2D Ex tb IIIC T130°C Db	DALI, Emergency Unit, 30° / 60° / 90° Lens, RAL Code
 Atarex Floodlight / Projektör	50W- 480W	6000lm- 50400lm	105lm/W - 132lm/W	IP66	Zone1 Zone21	II 2G Ex db IIB T4 Gb II 2D Ex tb IIIC T130°C Db	DALI, Emergency Unit, 30° / 60° / 90° Lens, RAL Code
 Exta Waterproof / Etanj	50W- 150W	6800lm- 19800lm	132lm/W- 137lm/W	IP66	Zone1 Zone21	II 2G Ex db IIB T6 Gb II 2D Ex tb IIIC T85°C Db	DALI, Emergency Unit, Radar Sensor
 Exta Emergency / Acil Aydınlatma	8W	480lm	60lm/W	IP66	Zone1 Zone21	II 2G Ex db IIB T6 Gb II 2D Ex tb IIIC T85°C Db	-



IEP ENERGY PETROLEUM INSTITUTE

IEP ATEX

(1) **EU-Type Examination Certificate**
(2) **Equipment or Protective Systems Intended for use in Potentially Explosive Atmospheres**
Directive 2014/34/EU
(3) EU - Type Examination Certificate Number: IEP 24 ATEX 1346X
(4) Product: ATAREX Type, Junction Box
(5) Firm Name: PELSAN AYDINLATMA SANAYİ TİCARET ANONİM ŞİRKETİ
(6) Firm Address: Bankalar Cad. Emekyemez Mah. Yankapın Prosk Sok. No:11 Karaköy
İstanbul - TÜRKİYE
(7) Production Address: Çerkeşli Mah. İMES OSB Mah. 5. Cad. No:12 Döğru / Kocaeli - TÜRKİYE
(8) This product any of acceptable variation thereto is specified in the schedule to this certificate and the documents therein referred to.
(9) The IEP Ulaştırma Enerji Petrol Güç, Sertifikasyon ve Teknik Hizmetler Organizasyonu Tic. Ltd. Şti., notified body number 2284 in accordance with Article 17 of the Directive 2014/34/EU of European Parliament and of the Council, dated 26 February 2014, certifies that this product has been found to comply with the Essential Health and Safety Requirements relating to the design and construction of products intended for use in potentially explosive atmospheres, given in Annex II to the Directive. The examination and test results are recorded in confidential Report No: IEP.Rp.Ex.19.2735 date 12.02.2024.
(10) Compliance with Essential Health and safety requirements has been assured by compliance with:
IEC EN 60079-0:2018, EN 60079-1:2014, EN 60079-31:2014
(11) If the sign "X" is placed after the certificate number, it indicates that the product is subject to Specified Conditions of Safe Use specified in the schedule to this certificate.
(12) This EU-Type Examination Certificate relates only to the design and construction of the specified product in accordance to the directive 2014/34/EU. Further requirements of the directive apply to the manufacturing process and supply of this product. These are not covered by this certificate.
(13) The marking of the equipment or protective system shall include the following:
II 2G Ex db IIB T6 Gb
II 2D Ex tb IIIC T85°C Db, IP 66

Responsible Person :
Nurettin Terzioglu
Head of Certification Body

Date of Issue: 16.02.2024

IEP Ulaştırma Enerji Petrol Güç, Sertifikasyon ve Teknik Hk. Org. Tic. Ltd. Şti.
51661 Sok. No:9 K:2 Beşiktaş - İZMİR / TÜRKİYE
Tel: +90 232 431 17 45 - 488166 - +90 232 431 17 30 - mail: iletisim@iep.com.tr P: 45
This certificate is granted subject to the general conditions of the IEP Energy Petroleum Institute. This certificate may only be reproduced in its entirety and without any change, schedule included. You can check accuracy of this document by www.iep.com.tr
Page | 1 / 2

ATEX - Ex-Proof Atarex Highbay Luminaires



IEP ENERGY PETROLEUM INSTITUTE

IEP ATEX

(1) **EU-Type Examination Certificate**
(2) **Equipment or Protective Systems Intended for use in Potentially Explosive Atmospheres**
Directive 2014/34/EU
(3) EU - Type Examination Certificate Number: IEP 24 ATEX 1346X
(4) Product: ATAREX Type Projector
(5) Firm Name: PELSAN AYDINLATMA SANAYİ TİCARET ANONİM ŞİRKETİ
(6) Firm Address: Bankalar Cad. Emekyemez Mah. Yankapın Prosk Sok. No:11 Karaköy
İstanbul - TÜRKİYE
(7) Production Address: Çerkeşli Mah. İMES OSB Mah. 5. Cad. No:12 Döğru / Kocaeli - TÜRKİYE
(8) This product any of acceptable variation thereto is specified in the schedule to this certificate and the documents therein referred to.
(9) The IEP Ulaştırma Enerji Petrol Güç, Sertifikasyon ve Teknik Hizmetler Organizasyonu Tic. Ltd. Şti., notified body number 2284 in accordance with Article 17 of the Directive 2014/34/EU of European Parliament and of the Council, dated 26 February 2014, certifies that this product has been found to comply with the Essential Health and Safety Requirements relating to the design and construction of products intended for use in potentially explosive atmospheres, given in Annex II to the Directive. The examination and test results are recorded in confidential Report No: IEP.Rp.Ex.19.2735 date 12.02.2024.
(10) Compliance with Essential Health and safety requirements has been assured by compliance with:
EN IEC 60079-0:2018, EN 60079-1:2014, EN 60079-7:2015, EN 60079-31:2014
(11) If the sign "X" is placed after the certificate number, it indicates that the product is subject to Specified Conditions of Safe Use specified in the schedule to this certificate.
(12) This EU-Type Examination Certificate relates only to the design and construction of the specified product in accordance to the directive 2014/34/EU. Further requirements of the directive apply to the manufacturing process and supply of this product. These are not covered by this certificate.
(13) The marking of the equipment or protective system shall include the following:
II 2G Ex db IIB T6 Gb
II 2D Ex tb IIIC T85°C Db, IP 66

Responsible Person :
Nurettin Terzioglu
Head of Certification Body

Date of Issue: 16.02.2024

IEP Ulaştırma Enerji Petrol Güç, Sertifikasyon ve Teknik Hk. Org. Tic. Ltd. Şti.
51661 Sok. No:9 K:2 Beşiktaş - İZMİR / TÜRKİYE
Tel: +90 232 431 17 45 - 488166 - +90 232 431 17 30 - mail: iletisim@iep.com.tr P: 45
This certificate is granted subject to the general conditions of the IEP Energy Petroleum Institute. This certificate may only be reproduced in its entirety and without any change, schedule included. You can check accuracy of this document by www.iep.com.tr
Page | 1 / 2

ATEX - Ex-Proof Atarex Floodlight Luminaires



IEP ENERGY PETROLEUM INSTITUTE

IEP ATEX

(1) **EU-Type Examination Certificate**
(2) **Equipment or Protective Systems Intended for use in Potentially Explosive Atmospheres**
Directive 2014/34/EU
(3) EU - Type Examination Certificate Number: IEP 24 ATEX 1346X
(4) Product: EXTA Series Exproof Luminaires
(5) Firm Name: PELSAN AYDINLATMA SANAYİ TİCARET ANONİM ŞİRKETİ
(6) Firm Address: Bankalar Cad. Emekyemez Mah. Yankapın Prosk Sok. No:11 Karaköy
İstanbul - TÜRKİYE
(7) Production Address: Çerkeşli Mah. İMES OSB Mah. 5. Cad. No:12 Döğru / Kocaeli - TÜRKİYE
(8) This product any of acceptable variation thereto is specified in the schedule to this certificate and the documents therein referred to.
(9) The IEP Ulaştırma Enerji Petrol Güç, Sertifikasyon ve Teknik Hizmetler Organizasyonu Tic. Ltd. Şti., notified body number 2284 in accordance with Article 17 of the Directive 2014/34/EU of European Parliament and of the Council, dated 26 February 2014, certifies that this product has been found to comply with the Essential Health and Safety Requirements relating to the design and construction of products intended for use in potentially explosive atmospheres, given in Annex II to the Directive. The examination and test results are recorded in confidential Report No: IEP.Rp.Ex.19.2735 date 12.02.2024.
(10) Compliance with Essential Health and safety requirements has been assured by compliance with:
EN IEC 60079-0:2018, EN 60079-1:2014, EN 60079-7:2015, EN 60079-31:2014
(11) If the sign "X" is placed after the certificate number, it indicates that the product is subject to Specified Conditions of Safe Use specified in the schedule to this certificate.
(12) This EU-Type Examination Certificate relates only to the design and construction of the specified product in accordance to the directive 2014/34/EU. Further requirements of the directive apply to the manufacturing process and supply of this product. These are not covered by this certificate.
(13) The marking of the equipment or protective system shall include the following:
II 2G Ex db IIB T6 Gb
II 2D Ex tb IIIC T 85°C Db, IP 66

Responsible Person :
Nurettin Terzioglu
Head of Certification Body

Date of Issue: 16.02.2024

IEP Ulaştırma Enerji Petrol Güç, Sertifikasyon ve Teknik Hk. Org. Tic. Ltd. Şti.
51661 Sok. No:9 K:2 Beşiktaş - İZMİR / TÜRKİYE
Tel: +90 232 431 17 45 - 488166 - +90 232 431 17 30 - mail: iletisim@iep.com.tr P: 45
This certificate is granted subject to the general conditions of the IEP Energy Petroleum Institute. This certificate may only be reproduced in its entirety and without any change, schedule included. You can check accuracy of this document by www.iep.com.tr
Page | 1 / 2

ATEX - Ex-Proof Exta Series Luminaires



ATEX Documents Belgeleri

IEP ENERGY PETROLEUM INSTITUTE **IEP ATEX**

Supplement Nr: 01
Type Examination Certificate

(1) **Equipment or Protective Systems Intended for use in Potentially Explosive Atmospheres**
Directive 2014/34/EU

(2) Type Examination Certificate Number: IEP 18 ATEX 0597

(3) Equipment: **Largo Type, Exproof Luminaires**

(4) Firm Name: **PELSAN AYDINLATMA SANAYİ VE TİCARET A.Ş.**

(5) Firm Address: **İmes Sanayi Sitesi A Blok 101 Sok. No:38 Y.Dudullu - İSTANBUL / TURKEY**

(6) This equipment or protective system and any of acceptable variation thereto is specified in the schedule to this certificate and the documents therein referred to.

(7) The IEP Uluslararası Enerji Petrol Güzetim, Sertifikasyon ve Teknik Hizmetler Organizasyonu Tic. Ltd. Sti., certifies that this equipment or protective system has been found to comply with the Essential Health and Safety Requirements relating to the design and construction of category 3 equipment, which is intended for use in potentially explosive atmospheres, given in Annex II to the Council Directive 2014/34/EU. The examination and test results are recorded in confidential Report Nr: IEP.Rp.Ex.10-1281-1 date 06.10.2021.

(8) Compliance with Essential Health and safety requirements has been assured by compliance with:
EN IEC 60079-0:2018, EN 60079-7:2015, EN 60079-31:2014

(9) If the sign "X" is placed after the certificate number, it indicates that the product is subject to Specified Conditions of Safe Use specified in the schedule to this certificate.

(10) This Type Examination Certificate relates only to the design and specification for construction of the equipment or protective system. It does not cover process for actual manufacture or supply of the equipment or protective system, for which further requirements of the directive are applicable.

(11) The marking of the equipment or protective system shall include the following:

**Ex II 3G Ex ec IIC T6 Gc
II 3D Ex tc IIC T 80° C Dc**

Responsible Person:
Nurettin Terzioğlu
Head of Certification Body

Supplement 1 Date of Issue : 08.10.2021

IEP Uluslararası Enerji Petrol Güzetim, Sertifikasyon ve Teknik Hiz. Org. Tic. Ltd. Sti. 57461 Sok. No:9 K:2 Bornova - İZMİR / TURKEY
Tel : +90 232 431 17 45 - 46 Fax : +90 232 431 17 30 E-mail: iep@iep.com.tr Fr: 45
This certificate is granted subject to the general conditions of the IEP Energy Petroleum Institute. This certificate may only be reproduced in its entirety and without any change, schedule included. You can check accuracy of this document by www.iep.com.tr Page | 1 / 3

ATEX - Ex-Proof Largo Waterproof Luminaires

IEP ENERGY PETROLEUM INSTITUTE **IEP ATEX**

Supplement Nr: 01
Type Examination Certificate

(1) **Equipment or Protective Systems Intended for use in Potentially Explosive Atmospheres**
Directive 2014/34/EU

(2) Type Examination Certificate Number: IEP 21 ATEX 01008

(3) Equipment: **Elit Lirad Type, LED Projector**

(4) Firm Name: **PELSAN AYDINLATMA SANAYİ VE TİCARET A.Ş.**

(5) Firm Address: **İmes Sanayi Sitesi A Blok 101 Sok. No:38 Y.Dudullu - İSTANBUL / TURKEY**

(6) This equipment or protective system and any of acceptable variation thereto is specified in the schedule to this certificate and the documents therein referred to.

(7) The IEP Uluslararası Enerji Petrol Güzetim, Sertifikasyon ve Teknik Hizmetler Organizasyonu Tic. Ltd. Sti., certifies that this equipment or protective system has been found to comply with the Essential Health and Safety Requirements relating to the design and construction of category 3 equipment, which is intended for use in potentially explosive atmospheres, given in Annex II to the Council Directive 2014/34/EU. The examination and test results are recorded in confidential Report Nr: IEP.Rp.Ex.10-2056 date 06.10.2021.

(8) Compliance with Essential Health and safety requirements has been assured by compliance with:
EN IEC 60079-0:2018, EN 60079-7:2015, EN 60079-31:2014

(9) If the sign "X" is placed after the certificate number, it indicates that the product is subject to Specified Conditions of Safe Use specified in the schedule to this certificate.

(10) This Type Examination Certificate relates only to the design and specification for construction of the equipment or protective system. It does not cover process for actual manufacture or supply of the equipment or protective system, for which further requirements of the directive are applicable.

(11) The marking of the equipment or protective system shall include the following:

**Ex II 3G Ex ec IIC T5 Gc
II 3D Ex tc IIC T 95° C Dc**

Responsible Person:
Nurettin Terzioğlu
Head of Certification Body

Date of Issue : 08.10.2021

IEP Uluslararası Enerji Petrol Güzetim, Sertifikasyon ve Teknik Hiz. Org. Tic. Ltd. Sti. 57461 Sok. No:9 K:2 Bornova - İZMİR / TURKEY
Tel : +90 232 431 17 45 - 46 Fax : +90 232 431 17 30 E-mail: iep@iep.com.tr Fr: 45
This certificate is granted subject to the general conditions of the IEP Energy Petroleum Institute. This certificate may only be reproduced in its entirety and without any change, schedule included. You can check accuracy of this document by www.iep.com.tr Page | 1 / 2

ATEX - Ex-Proof Elit Lirad Luminaires

IEP ENERGY PETROLEUM INSTITUTE **IEP ATEX**

Supplement Nr: 01
Type Examination Certificate

(1) **Equipment or Protective Systems Intended for use in Potentially Explosive Atmospheres**
Directive 2014/34/EU

(2) Type Examination Certificate Number: IEP 21 ATEX 01007

(3) Equipment: **Ausled / Raused Emergency Type, Exproof Luminaires**

(4) Firm Name: **PELSAN AYDINLATMA SANAYİ VE TİCARET A.Ş.**

(5) Firm Address: **İmes Sanayi Sitesi A Blok 101 Sok. No:38 Y.Dudullu - İSTANBUL / TURKEY**

(6) This equipment or protective system and any of acceptable variation thereto is specified in the schedule to this certificate and the documents therein referred to.

(7) The IEP Uluslararası Enerji Petrol Güzetim, Sertifikasyon ve Teknik Hizmetler Organizasyonu Tic. Ltd. Sti., certifies that this equipment or protective system has been found to comply with the Essential Health and Safety Requirements relating to the design and construction of category 3 equipment, which is intended for use in potentially explosive atmospheres, given in Annex II to the Council Directive 2014/34/EU. The examination and test results are recorded in confidential Report Nr: IEP.Rp.Ex.10-2055 date 06.10.2021.

(8) Compliance with Essential Health and safety requirements has been assured by compliance with:
EN IEC 60079-0:2018, EN 60079-7:2015, EN 60079-31:2014

(9) If the sign "X" is placed after the certificate number, it indicates that the product is subject to Specified Conditions of Safe Use specified in the schedule to this certificate.

(10) This Type Examination Certificate relates only to the design and specification for construction of the equipment or protective system. It does not cover process for actual manufacture or supply of the equipment or protective system, for which further requirements of the directive are applicable.

(11) The marking of the equipment or protective system shall include the following:

**Ex II 3G Ex ec IIC T6 Gc
II 3D Ex tc IIC T 85° C Dc**

Responsible Person:
Nurettin Terzioğlu
Head of Certification Body

Date of Issue : 08.10.2021

IEP Uluslararası Enerji Petrol Güzetim, Sertifikasyon ve Teknik Hiz. Org. Tic. Ltd. Sti. 57461 Sok. No:9 K:2 Bornova - İZMİR / TURKEY
Tel : +90 232 431 17 45 - 46 Fax : +90 232 431 17 30 E-mail: iep@iep.com.tr Fr: 45
This certificate is granted subject to the general conditions of the IEP Energy Petroleum Institute. This certificate may only be reproduced in its entirety and without any change, schedule included. You can check accuracy of this document by www.iep.com.tr Page | 1 / 2

ATEX - Ex-Proof Ausled-Raused Luminaires

IEP ENERGY PETROLEUM INSTITUTE **IEP ATEX**

Supplement Nr: 01
Type Examination Certificate

(1) **Equipment or Protective Systems Intended for use in Potentially Explosive Atmospheres**
Directive 2014/34/EU

(2) Type Examination Certificate Number: IEP 16 ATEX 0468

(3) Product: **LED lighting fixtures, Pelsan xy series**

(4) Firm Name: **PELSAN AYDINLATMA SANAYİ VE TİCARET A.Ş.**

(5) Firm Address: **İmes Sanayi Sitesi A Blok 101 Sokak No:38 Dudullu Ümraniye - İSTANBUL TURKEY**

(6) This equipment or protective system and any of acceptable variation thereto is specified in the schedule to this certificate and the documents therein referred to.

(7) The IEP Uluslararası Enerji Petrol Güzetim, Sertifikasyon ve Teknik Hizmetler Organizasyonu Tic. Ltd. Sti., certifies that this equipment or protective system has been found to comply with the Essential Health and Safety Requirements relating to the design and construction of category 3 equipment, which is intended for use in potentially explosive atmospheres, given in Annex II to the Council Directive 2014/34/EU. The examination and test results are recorded in confidential Report Nr: IEP.Rp.Ex.10-1037-1 date 06.10.2021.

(8) Compliance with Essential Health and safety requirements has been assured by compliance with:
EN IEC 60079-0:2018, EN 60079-7:2015, EN 60079-31:2014

(9) If the sign "X" is placed after the certificate number, it indicates that the product is subject to Specified Conditions of Safe Use specified in the schedule to this certificate.

(10) This Type Examination Certificate relates only to the design and specification for construction of the equipment or protective system. It does not cover process for actual manufacture or supply of the equipment or protective system, for which further requirements of the directive are applicable.

(11) The marking of the equipment or protective system shall include the following:

**Ex II 3G Ex ec IIC T5 Gc
II 3D Ex tc IIC (T 95° C) Dc**

Responsible Person:
Nurettin Terzioğlu
Head of Certification Body

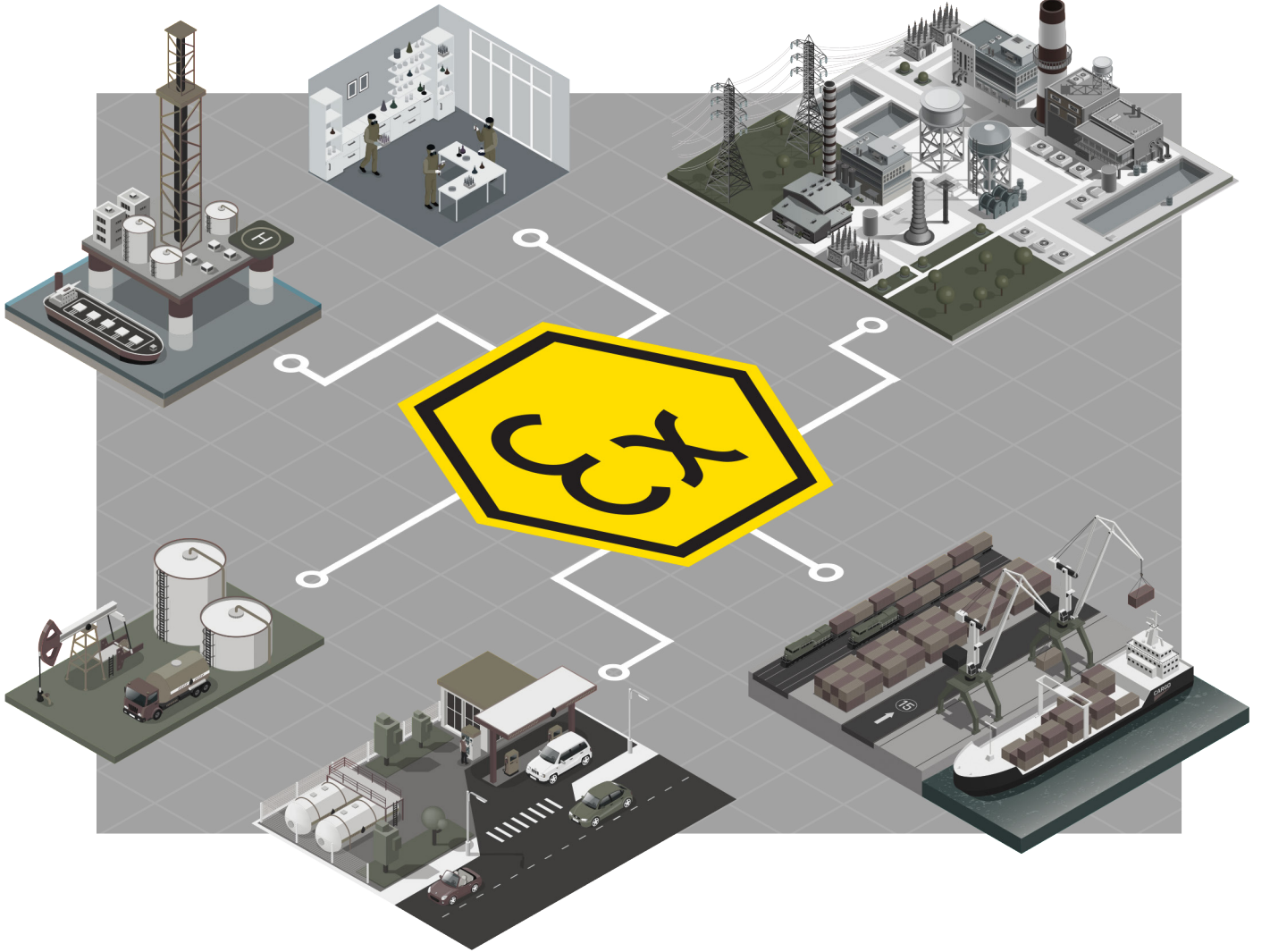
Supplement 1 Date of Issue : 08.10.2021

IEP Uluslararası Enerji Petrol Güzetim, Sertifikasyon ve Teknik Hiz. Org. Tic. Ltd. Sti. 57461 Sok. No:9 K:2 Bornova - İZMİR / TURKEY
Tel : +90 232 431 17 45 - 46 Fax : +90 232 431 17 30 E-mail: iep@iep.com.tr Fr: 65
This certificate is granted subject to the general conditions of the IEP Energy Petroleum Institute. This certificate may only be reproduced in its entirety and without any change, schedule included. You can check accuracy of this document by www.iep.com.tr Page | 1 / 3

ATEX - Ex-Proof Sia-Nairo-Piriliz Luminaires

Pelsan Ex-Proof Luminaires can be used safely in

Chemical, paint and coating facilities,
petroleum storage facilities, oil filling and
discharging facilities, ports and shipyards,
power plant & industrial plants,
fueling stations



Pelsan Ex-Proof Armatürleri

Kimya ve boya tesisleri, petrol depolama tesisleri,
petrol dolum boşaltım tesisleri, liman & tersaneler,
enerji santralleri, endüstriyel tesisler ve
akaryakıt İstasyonlarında

**güvenle
kullanabilirsiniz!**



Ex-Proof Highbay Ex-Proof Yüksek Tavan Atarex



Wide power option: 50W-240W

Gas explosion proof: ZONE 1

Dust explosion proof: ZONE21

II 2G Ex eb IIB T4...T6 Gb

II 2D Ex tb IIIC T85...130°C Db ATEX directive

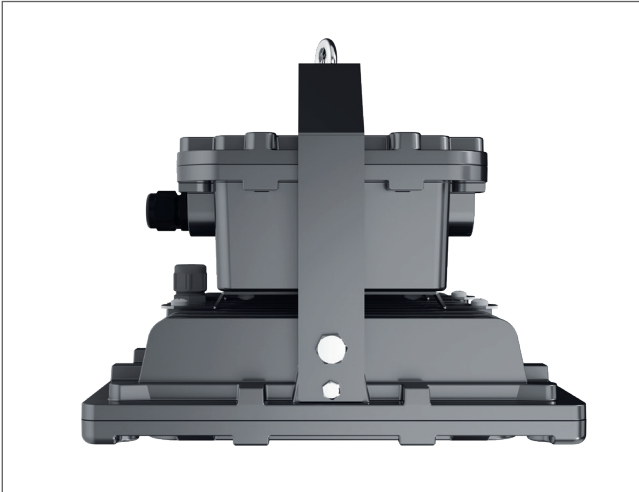
Geniş güç opsiyonu: 50W-240W

Gaz patlama koruması: ZONE 1

Toz patlama koruması: ZONE21

II 2G Ex eb IIB T4...T6 Gb

II 2D Ex tb IIIC T85...130°C Db ATEX direktifine uygundur.



Code No Ürün Kodu	Power Güç (W)	Luminous Flux Işık Akısı (lm)	Colour Temp. Renk Sıcaklığı (K)	Efficacy Etkinlik Faktörü (lm/W)	Dimensions Boyutlar (mm) axbxc	Pcs / Pack Koli Adedi	Package Vol. Koli Hacmi (m ³)	Package Weight Koli Ağırlığı (kg)
115866	50	6000	6500	120	342x307x241	1	0,032	15,3
115867	100	13200	6500	132	342x307x241	1	0,032	15,3
115868	150	19350	6500	129	342x307x241	1	0,032	15,3
115869	200	25000	6500	125	342x307x241	1	0,032	15,3
115870	240	29520	6500	123	342x307x241	1	0,032	15,3

Product codes can change by the kelvins, dimensions, or options. Please get in contact with the sales team.

Technical values have tolerance +/-%7 by the operating conditions.

Ürün kodları kelvin, boyut ve opsiyonlar için değişebilir. Lütfen satış ekibi ile iletişime geçiniz.

Teknik sonuçlar çalışma koşullarına bağlı olarak +/-%7 toleransa sahiptir.

Mechanical Specifications

Mekanik Özellikler

Body	Gövde	Aluminium	Alüminyum
IP Rating	IP Sınıfı	IP66	
IK Rating Body	IK Gövde Sınıfı	IK09	
Fire Protection	Alev Koruması	650°C	
Cable Gland	Kablo Rakor	M20	
Cable	Kablo	3x1,5mm ²	
RAL Code	Ral Kodu	7043	
Mounting Type	Montaj Tipi	Surface Mounted	Sıva Üstü

Optical Specifications

Optik Özellikler

Light Source	Işık Kaynağı	Power LED	
Reflector	Reflektör	-	
Lens	Lens	PMMA	
Diffuser	Difüzör	Clear Tempered Glass	Şeffaf Temperli Cam (10mm)
CRI		>70	
Colour Temperature	Renk Sıcaklığı	3000K / 4000K / 6500K	
Photobiological Risk Group	Fotobiyolojik Risk Grubu	RG1	
Beam Angle	Işık Açısı	30° / 60° / 90°	

Electrical Specifications

Elektriksel Özellikler

Input Voltage	Giriş Gerilimi	220-240Vac
Frequency	Frekans	50-60Hz
Class	Sınıf	I
System Lifetime	Sistem Ömrü	>50.000h
Power Factor	Güç Faktörü	>0,95
Operating Temperature	Çalışma Sıcaklığı	-20°C / +55°C
Standards	Standartlar	60598-2-1, EN62262, EN60529

Options

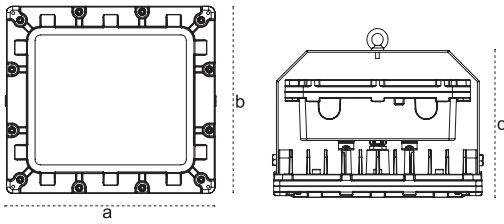
Opsiyonlar

DALI		✓
1-10V		✓
Step DIM		-
1hour Emergency Kit	1 Saat Acil Kit	✓
3hour Emergency Kit	3 Saat Acil Kit	✓
Electrical Protection	Elektriksel Sınıf	-
Microwave Sensor	Radar Sensör	-
RAL Code	RAL Kodu	✓
Marine Painting	Marin Boya	-



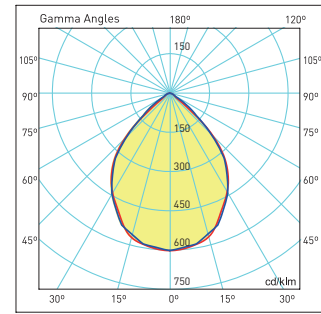
Technical Drawing

Teknik Çizim



Light Distribution Curve

Işık Şiddeti Dağılım Eğrisi



180.0 — 0.0 200W η :1000.0%

270.0 — 90.0

Cone Diagram

Konik Diagram

1m	8012lx-15942lx	178,24cm
2m	2003lx-3986lx	356,48cm
3m	890,3lx-1771lx	534,71cm
4m	500,8lx-996,4lx	712,95cm
5m	320,5lx-637,7lx	891,19cm
6m	222,6lx-442,8lx	1069,43cm
7m	163,5lx-325,4lx	1247,67cm
8m	125,2lx-249,1lx	1425,90cm
9m	98,92lx-196,8lx	1604,14cm
10m	80,12lx-159,4lx	1782,38cm

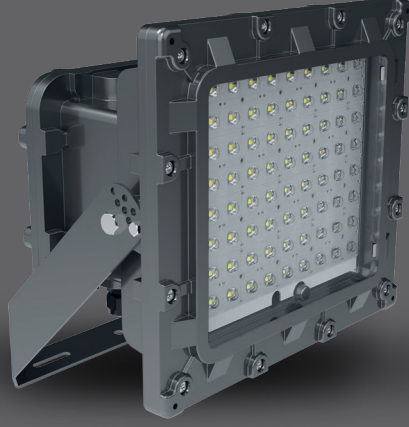
Height Eavg; Emax Angle: 83,41° Diameter

Visit our website for latest product informations and documents.
Güncel ürün bilgi ve belgeleri için web sitemizi ziyaret ediniz.



Ex-Proof Floodlights Ex-Proof Projektörler

Atarex



Wide power option: 50W-480W

Gas explosion proof: ZONE 1

Dust explosion proof: ZONE21

II 2G Ex eb IIB T4...T6 Gb

II 2D Ex tb IIIC T85...130°C Db ATEX directive

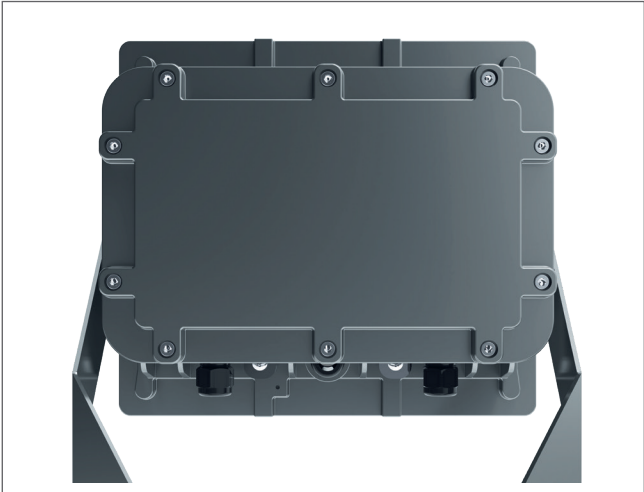
Geniş güç opsiyonu: 50W-480W

Gaz patlama koruması: ZONE 1

Toz patlama koruması: ZONE21

II 2G Ex eb IIB T4...T6 Gb

II 2D Ex tb IIIC T85...130°C Db ATEX direktifine uygundur.



Code No Ürün Kodu	Power Güç (W)	Luminous Flux Işık Akısı (lm)	Colour Temp. Renk Sıcaklığı (K)	Efficacy Etkinlik Faktörü (lm/W)	Dimensions Boyutlar (mm) axbxc	Pcs / Pack Koli Adedi	Package Vol. Koli Hacmi (m ³)	Package Weight Koli Ağırlığı (kg)
115486	50	6000	6500	120	342x350x264	1	0,04	15,5
115865	100	13200	6500	132	342x350x264	1	0,04	15,5
115864	150	19350	6500	129	342x350x264	1	0,04	15,5
115863	200	25000	6500	125	342x350x264	1	0,04	15,5
115487	240	29520	6500	123	342x350x264	1	0,04	15,5
115780	480	50400	6500	105	438x754x488	1	0,11	24,9

Product codes can change by the kelvins, dimensions, or options. Please get in contact with the sales team.

Technical values have tolerance +/-%7 by the operating conditions.

Ürün kodları kelvin, boyut ve opsiyonlar için değişebilir. Lütfen satış ekibi ile iletişime geçiniz.

Teknik sonuçlar çalışma koşullarına bağlı olarak +/-%7 toleransa sahiptir.

Mechanical Specifications Mekanik Özellikler

Body	Gövde	Aluminium	Alüminyum
IP Rating	IP Sınıfı	IP66	
IK Rating	IK Gövde Sınıfı	IK09	
Fire Protection	Alev Koruması	650°C	
Cable Gland	Kablo Rakor	M20	
Cable	Kablo	3x1,5mm ²	
RAL Code	Ral Kodu	7043	
Mounting Type	Montaj Tipi	Pole / Ground	Direk / Zemin

Optical Specifications Optik Özellikler

Light Source	Işık Kaynağı	Power LED
Reflector	Reflektör	-
Lens	Lens	PMMA
Diffuser	Difüzör	Clear Tempered Glass / Şeffaf Temperli Cam (10mm)
CRI		>70
Colour Temperature	Renk Sıcaklığı	3000K / 4000K / 6500K
Photobiological Risk Group	Fotobiyolojik Risk Grubu	RG1
Beam Angle	Işık Açısı	30° / 60° / 90°

Electrical Specifications Elektriksel Özellikler

Input Voltage	Giriş Gerilimi	220-240Vac
Frequency	Frekans	50-60Hz
Class	Sınıf	I
System Lifetime	Sistem Ömrü	>50.000h
Power Factor	Güç Faktörü	>0,95
Operating Temperature	Çalışma Sıcaklığı	-20°C / +55°C
Standards	Standartlar	EN60598-2-5, EN62262, EN60529,

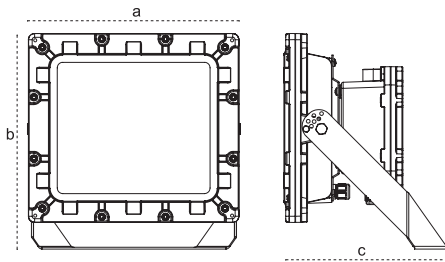
Options Opsiyonlar

DALI		✓
1-10V		✓
Step DIM		-
1hour Emergency Kit	1 Saat Acil Kit	✓
3hour Emergency Kit	3 Saat Acil Kit	✓
Electrical Protection	Elektriksel Sınıf	-
Microwave Sensor	Radar Sensör	-
RAL Code	RAL Kodu	✓
Marine Painting	Marin Boya	-



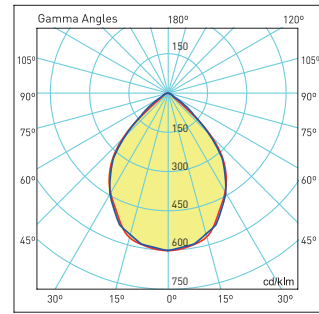
Technical Drawing

Teknik Çizim



Light Distribution Curve

Işık Şiddeti Dağılım Eğrisi



180.0 — 0.0 200W η :1000.0%

270.0 — 90.0

Cone Diagram

Konik Diagram

1m	8012lx-15942lx	178,24cm
2m	2003lx-3986lx	356,48cm
3m	890,3lx-1771lx	534,71cm
4m	500,8lx-996,4lx	712,95cm
5m	320,5lx-637,7lx	891,19cm
6m	222,6lx-442,8lx	1069,43cm
7m	163,5lx-325,4lx	1247,67cm
8m	125,2lx-249,1lx	1425,90cm
9m	98,92lx-196,8lx	1604,14cm
10m	80,12lx-159,4lx	1782,38cm

Height Eavg; Emax Angle: 83,41° Diameter

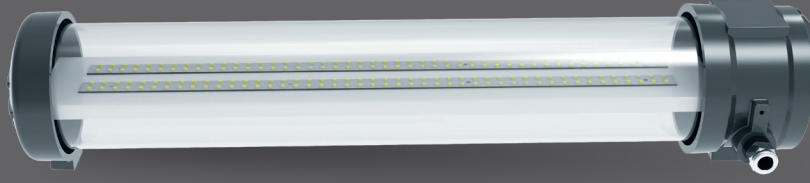
Visit our website for latest product informations and documents.
Güncel ürün bilgi ve belgeleri için web sitemizi ziyaret ediniz.



Ex-Proof Waterproof Luminaires

Ex-Proof Etanj Armatürleri

Exta



Wide power range: 50W-150W

Up to 137lm/W efficiency

Gas explosion proof: ZONE1

Dust explosion proof: ZONE21

II 2G Ex db IIB T6 Gb

II 2D Ex tb IIIC T85°C Db ATEX directive

Geniş güç aralığı: 50W-150W

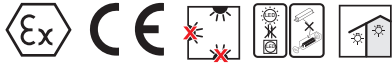
137lm/W'a varan etkinlik faktörü

Gaz patlama koruması: ZONE1

Toz patlama koruması: ZONE21

II 2G Ex db IIB T6 Gb

II 2D Ex tb IIIC T85°C Db ATEX direktifine uygundur.



Mechanical Specifications

Mekanik Özellikler

Body	Gövde	Aluminium	Alüminyum
IP Rating	IP Sınıfı	IP66	
IK Rating Body	IK Gövde Sınıfı	IK10	
Fire Protection	Alev Koruması	650°C	
Cable Gland	Kablo Rakor	M20	
Cable	Kablo	3x1,5mm ²	
RAL Code	Ral Kodu	7043	
Mounting Type	Montaj Tipi	Surface Mounted / Pendant	Sıva Üstü / Sarkıt

Optical Specifications

Optik Özellikler

Light Source	Işık Kaynağı	Mid Power LED
Reflector	Reflektör	-
Lens	Lens	-
Diffuser	Difüzör	PC
CRI		>70
Colour Temperature	Renk Sıcaklığı	3000K / 4000K / 6500K
Photobiological Risk Group	Fotobiyolojik Risk Grubu	RG1
Beam Angle	Işık Açısı	120°

Electrical Specifications

Elektriksel Özellikler

Input Voltage	Giriş Gerilimi	220-240Vac
Frequency	Frekans	50-60Hz
Class	Sınıf	I
System Lifetime	Sistem Ömrü	>50.000h
Power Factor	Güç Faktörü	>0,95
Operating Temperature	Çalışma Sıcaklığı	-20°C / +55°C
Standards	Standartlar	EN60598-2-1, EN62262, EN60529, EN13032, LM79, LM80, 60079-10-1, 60079-10-2

Options

Opsiyonlar

DALI		✓
1-10V		✓
Step DIM		✓
1hour Emergency Kit	1 Saat Acil Kit	✓
3hour Emergency Kit	3 Saat Acil Kit	✓
Electrical Protection	Elektriksel Sınıf	-
Microwave Sensor	Radar Sensör	✓

Code No Ürün Kodu	Power Güç (W)	Luminous Flux Işık Akısı (lm)	Colour Temp. Renk Sıcaklığı (K)	Efficacy Etkinlik Faktörü (lm/W)	Dimensions Boyutlar (mm) axbxc	Pcs / Pack Koli Adedi	Package Vol. Koli Hacmi (m ³)	Package Weight Koli Ağırlığı (kg)
115871	14	2030	6500	145	430x182x168	1	-	3,8
115872	26	3692	6500	142	710x182x162	1	-	6,5
115490	35	4900	6500	140	1270x182x162	1	-	10,5
115873	50	7000	6500	140	1270x182x162	1	-	10,5

Product codes can change by the kelvins, dimensions, or options. Please get in contact with the sales team.

Technical values have tolerance +/-7% by the operating conditions.

Ürün kodları kelvin, boyut ve opsiyonlar için değişebilir. Lütfen satış ekibi ile iletişime geçiniz.

Teknik sonuçlar çalışma koşullarına bağlı olarak +/-7% toleransa sahiptir.

Ex-Proof Emergency Luminaires

Ex-Proof Acil Aydınlatma Armatürleri

Exta



ZONE 1
ZONE21



Mechanical Specifications

Mekanik Özellikler

Body Gövde	Aluminium Alüminyum
IP Rating IP Sınıfı	IP66
IK Rating Body IK Gövde Sınıfı	IK10
Fire Protection Alev Koruması	650°C
Cable Gland Kablo Rakor	M20
Cable Kablo	3x1,5mm ²
RAL Code Ral Kodu	7043
Mounting Type Montaj Tipi	Surface Mounted, Pendant Sıva Üstü, Sarkıt

Optical Specifications

Optik Özellikler

Light Source Işık Kaynağı	Mid Power LED
Reflector Reflektör	-
Lens Lens	-
Diffuser Difüzör	PC
CRI	>70
Colour Temperature Renk Sıcaklığı	3000K / 4000K / 6500K
Photobiological Risk Group Fotobiyolojik Risk Grubu	RG1
Beam Angle Işık Açısı	120°

Electrical Specifications

Elektriksel Özellikler

Input Voltage Giriş Gerilimi	220-240Vac
Frequency Frekans	50-60Hz
Class Sınıf	I
System Lifetime Sistem Ömrü	>50.000h
Power Factor Güç Faktörü	>0,95
Operating Temperature Çalışma Sıcaklığı	-20°C / +45°C
Function Mode Çalışma Şekli	Maintained/Non-Maintained Sürekli/Kesintide
Charging Indicator Şarj Göstergesi	-
Discharging Indicator Deşarj Göstergesi	-
Switch Anahtar	-
Standards Standartlar	EN60598-2-1, EN62262, EN60529, EN13032, LM79, LM80, 60079-10-1, 60079-10-2

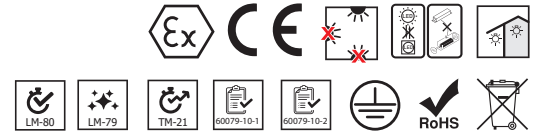
Options

Opsiyonlar

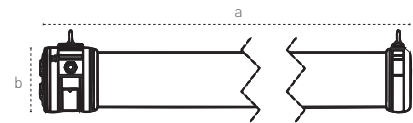
DALI	-
1-10V	-
Step DIM	-
Electrical Protection Elektriksel Sınıf	-
RAL Code RAL Kodu	-

Gas explosion proof: ZONE1
Dust explosion proof: ZONE21
II 2G Ex db IIB T6 Gb
II 2D Ex tb IIIC T85°C Db ATEX directive

Gaz patlama koruması: ZONE,1
Toz patlama koruması: ZONE21
II 2G Ex db IIB T6 Gb
II 2D Ex tb IIIC T85°C Db ATEX direktifine uygun



Technical Drawing
Teknik Çizim



Code No Ürün Kodu	Power Güç (W)	Battery Batarya	Charging Time Şarj Süresi	Discharging Time Deşarj Süresi	Luminous Flux Işık Akısı (lm)	Colour Temp. Renk Sıcaklığı (K)	Efficacy Etkinlik Faktörü (lm/W)	Dimensions Boyutlar (mm) axbxc	Pcs / Pack Koli Adedi	Pack. Vol. Koli Hacmi (m ³)	Pack. Weight Koli Ağırlığı (kg)
115488	8	3,7V 4500mAh	24h.	3h.	480	6500	60	471x152x170	1	0,01	3,4

Product codes can change by the kelvins, dimensions, or options. Please get in contact with the sales team.

Technical values have tolerance +/-%7 by the operating conditions.

Ürün kodları kelvin, boyut ve opsiyonlar için değişebilir. Lütfen satış ekibi ile iletişime geçiniz.

Teknik sonuçlar çalışma koşullarına bağlı olarak +/-%7 toleransa sahiptir.

Ex-Proof Waterproof Ex-Proof Etanj Largo LED



Gas explosion proof: ZONE 2
Dust explosion proof: ZONE22
II 3G Ex ec IIC T6 Gc
II 3D Ex tc IIIC (T80 °C) Dc
Complies with 2014/34/EU ATEX Directive

Gaz patlama koruması: ZONE 2
Toz patlama koruması: ZONE22
II 3G Ex ec IIC T6 Gc
II 3D Ex tc IIIC (T80 °C) Dc
2014/34/EU ATEX direktifine uygun



Mechanical Specifications

Mekanik Özellikler

Body	Gövde	GRP
IP Rating	IP Sınıfı	IP65
IK Rating Body	IK Gövde Sınıfı	IK08
Fire Protection	Alev Koruması	650°C
Cable Gland	Kablo Rakor	PG11
Cable	Kablo	-
RAL Code	Ral Kodu	1023
Mounting Type	Montaj Tipi	Surface Mounted Sıva Üstü

Optical Specifications

Optik Özellikler

Light Source	Işık Kaynağı	Power LED
Reflector	Reflektör	-
Lens	Lens	-
Diffuser	Difüzör	PC
CRI		>80
Colour Temperature	Renk Sıcaklığı	3000K / 4000K / 6500K
Photobiological Risk Group	Fotobiyolojik Risk Grubu	RG1
Beam Angle	Işık Açısı	120°

Electrical Specifications

Elektriksel Özellikler

Input Voltage	Giriş Gerilimi	220-240Vac
Frequency	Frekans	50-60Hz
Class	Sınıf	I
System Lifetime	Sistem Ömrü	>50.000h
Power Factor	Güç Faktörü	>0,95
Operating Temperature	Çalışma Sıcaklığı	-20°C / 50°C
Standards	Standartlar	EN60598-2-1, EN62262, EN60529, EN13032, LM79, LM80, 60079-10-1, 60079-10-2

Options

Opsiyonlar

DALI		-
1-10V		-
Step DIM		-
1hour Emergency Kit	1 Saat Acil Kit	✓
3hour Emergency Kit	3 Saat Acil Kit	✓
Electrical Protection	Elektriksel Sınıf	-
Microwave Sensor	Radar Sensör	-
RAL Code	RAL Kodu	✓
Marine Painting	Marin Boya	-

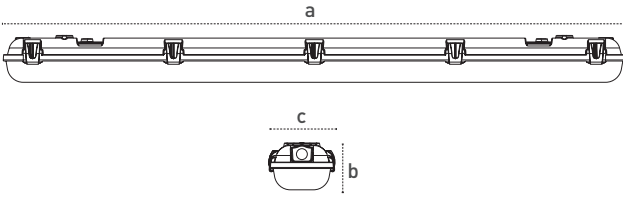
Code No Ürün Kodu	Power Güç (W)	Luminous Flux Işık Akısı (lm)	Colour Temp. Renk Sıcaklığı (K)	Efficacy Etkinlik Faktörü (lm/W)	Dimensions Boyutlar (mm) axbxc	Pcs / Pack Koli Adedi	Package Vol. Koli Hacmi (m³)	Package Weight Koli Ağırlığı (kg)
108458	25	2750	6500	110	670x85x125	6	0,053	12,8
108459	45	4950	6500	110	1280x85x125	6	0,1	18,5

Product codes can change by the kelvins, dimensions, or options. Please get in contact with the sales team.
Technical values have tolerance +-7% by the operating conditions.
Ürün kodları kelvin, boyut ve opsiyonlar için değişebilir. Lütfen satış ekibi ile iletişime geçiniz.
Teknik sonuçlar çalışma koşullarına bağlı olarak +-7% toleransa sahiptir.



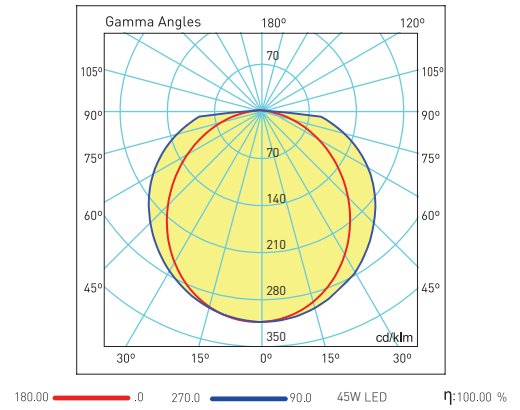
Technical Drawing

Teknik Çizim



Light Distribution Curve

Işık Şiddeti Dağılım Eğrisi



Visit our website for latest product informations and documents.
Güncel ürün bilgi ve belgeleri için web sitemizi ziyaret ediniz.



Ex-Proof Waterproof Ex-Proof Etanj Largo LED Tube



ZONE2
ZONE22



Gas explosion proof: ZONE 2
Dust explosion proof: ZONE22
II 3G Ex ec IIC T6 Gc
II 3D Ex tc IIIC (T80 °C) Dc
Complies with 2014/34/EU ATEX Directive

Gaz patlama koruması: ZONE 2
Toz patlama koruması: ZONE22
II 3G Ex ec IIC T6 Gc
II 3D Ex tc IIIC (T80 °C) Dc
2014/34/EU ATEX direktifine uygun



Mechanical Specifications

Mekanik Özellikler

Body	Gövde	GRP
IP Rating	IP Sınıfı	IP65
IK Rating	IK Gövde Sınıfı	IK08
Fire Protection	Alev Koruması	650°C
Cable Gland	Kablo Rakor	PG11
Cable	Kablo	-
RAL Code	Ral Kodu	1023
Mounting Type	Montaj Tipi	Surface Mounted Sıva Üstü

Optical Specifications

Optik Özellikler

Light Source	Işık Kaynağı	-
Reflector	Reflektör	-
Lens	Lens	-
Diffuser	Difüzör	PC
CRI		-
Colour Temperature	Renk Sıcaklığı	-
Photobiological Risk Group	Fotobiyolojik Risk Grubu	-
Beam Angle	Işık Açısı	120°

Electrical Specifications

Elektriksel Özellikler

Input Voltage	Giriş Gerilimi	220-240Vac
Frequency	Frekans	50-60Hz
Class	Sınıf	I
System Lifetime	Sistem Ömrü	>50.000h
Power Factor	Güç Faktörü	-
Operating Temperature	Çalışma Sıcaklığı	-20°C / 50°C
Standards	Standartlar	EN60598-2-1, EN62262, EN60529, EN13032, LM79, LM80, 60079-10-1, 60079-10-2

Options

Opsiyonlar

DALI		-
1-10V		-
Step DIM		-
1hour Emergency Kit	1 Saat Acil Kit	-
3hour Emergency Kit	3 Saat Acil Kit	-
Electrical Protection	Elektriksel Sınıf	-
Microwave Sensor	Radar Sensör	-
RAL Code	RAL Kodu	✓
Marine Painting	Marin Boya	-

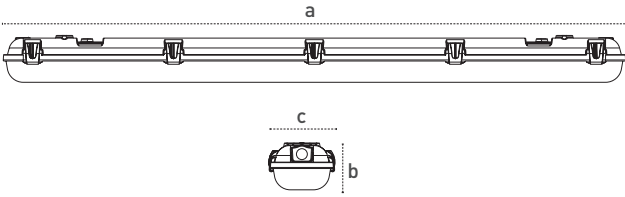
Code No Ürün Kodu	Power Güç (W)	Base Duy	Dimensions Boyutlar (mm) axbxc	Pcs / Pack Koli Adedi	Package Vol. Koli Hacmi (m³)	Package Weight Koli Ağırlığı (kg)
111402	1x9	1xG13	670x85x125	6	0,0414	11
111404	2x9	2xG13	670x85x125	6	0,053	12,8
111405	1x18	1xG13	1280x85x125	6	0,0774	17
111406	2x18	2xG13	1280x85x125	6	0,10062	18,5

Technical values have tolerance +/-7% by the operating conditions.
Teknik sonuçlar çalışma koşullarına bağlı olarak +/-7% toleransa sahiptir.



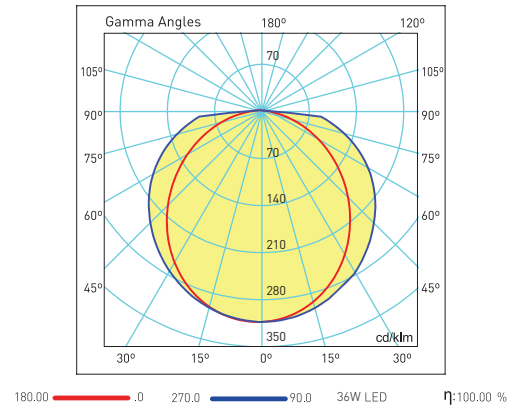
Technical Drawing

Teknik Çizim



Light Distribution Curve

Işık Şiddeti Dağılım Eğrisi



Visit our website for latest product informations and documents.
Güncel ürün bilgi ve belgeleri için web sitemizi ziyaret ediniz.



Ex-Proof Waterproof Ex-Proof Etanj Largo T8



Gas explosion proof: ZONE 2
Dust explosion proof: ZONE22
II 3G Ex ec IIC T6 Gc
II 3D Ex tc IIIC (T80 °C) Dc
Complies with 2014/34/EU ATEX Directive

Gaz patlama koruması: ZONE 2
Toz patlama koruması: ZONE22
II 3G Ex ec IIC T6 Gc
II 3D Ex tc IIIC (T80 °C) Dc
2014/34/EU ATEX direktifine uygun



Mechanical Specifications

Mekanik Özellikler

Body	Gövde	GRP
IP Rating	IP Sınıfı	IP65
IK Rating	IK Gövde Sınıfı	IK08
Fire Protection	Alev Koruması	650°C
Cable Gland	Kablo Rakor	PG11
Cable	Kablo	-
RAL Code	Ral Kodu	1023
Mounting Type	Montaj Tipi	Surface Mounted Sıva Üstü

Optical Specifications

Optik Özellikler

Light Source	Işık Kaynağı	TLD
Reflector	Reflektör	-
Lens	Lens	-
Diffuser	Difüzör	PC
CRI		-
Colour Temperature	Renk Sıcaklığı	-
Photobiological Risk Group	Fotobiyolojik Risk Grubu	-
Beam Angle	Işık Açısı	120°

Electrical Specifications

Elektriksel Özellikler

Input Voltage	Giriş Gerilimi	220-240Vac
Frequency	Frekans	50-60Hz
Class	Sınıf	I
System Lifetime	Sistem Ömrü	>50.000h
Power Factor	Güç Faktörü	>0,95
Operating Temperature	Çalışma Sıcaklığı	-20°C / 50°C
Standards	Standartlar	EN60598-2-1, EN62262, EN60529, EN13032, LM79, LM80, 60079-10-1, 60079-10-2

Options

Opsiyonlar

DALI		-
1-10V		-
Step DIM		-
1hour Emergency Kit	1 Saat Acil Kit	-
3hour Emergency Kit	3 Saat Acil Kit	-
Electrical Protection	Elektriksel Sınıf	-
Microwave Sensor	Radar Sensör	-
RAL Code	RAL Kodu	✓
Marine Painting	Marin Boya	-

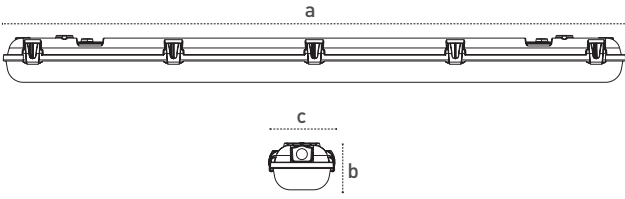
Code No Ürün Kodu	Power Güç (W)	Base Duy	Dimensions Boyutlar (mm) axbxc	Pcs / Pack Koli Adedi	Package Vol. Koli Hacmi (m³)	Package Weight Koli Ağırlığı (kg)
108297	2x18	2xG13	670x85x125	6	0,05304	12,8
108298	2x36	2xG13	1280x85x125	6	0,10062	18,5

Technical values have tolerance +/-%7 by the operating conditions.
Teknik sonuçlar çalışma koşullarına bağlı olarak +/-%7 toleransa sahiptir.



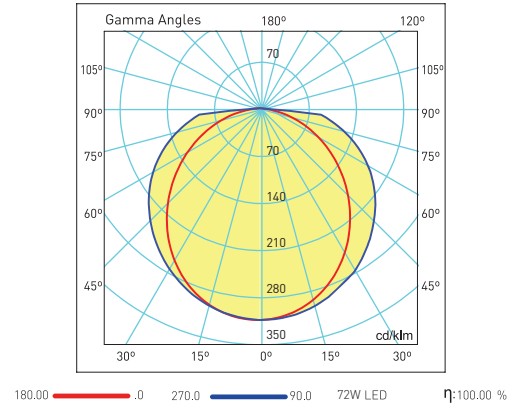
Technical Drawing

Teknik Çizim



Light Distribution Curve

Işık Şiddeti Dağılım Eğrisi

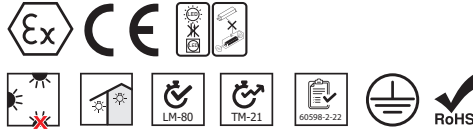


Ex-Proof Emergency Luminaires Ex-Proof Acil Aydınlatma Armatürleri Ausled & Raused



Gas Explosion Proof: ZONE 2
Dust Explosion Proof: ZONE22
II 3G Ex ec IIC T6 Gc
II 3D Ex tc IIIC (T85°C) Dc

Gaz Patlama Koruması: ZONE2
Toz Patlama Koruması: ZONE22
II 3G Ex ec IIC T6 Gc
II 3D Ex tc IIIC (T85°C) Dc



Mechanical Specifications

Mekanik Özellikler

Body	Gövde	PC
IP Rating	IP Sınıfı	IP65
IK Rating	IK Gövde Sınıfı	IK08
Fire Protection	Alev Koruması	650°C
Cable Gland	Kablo Rakor	PG9/M16
Cable	Kablo	-
RAL Code	Ral Kodu	1023
Mounting Type	Montaj Tipi	Surface-Recessed Mounted Sıva Üstü - Sıva Altı

Optical Specifications

Optik Özellikler

Light Source	Işık Kaynağı	Power LED
Reflector	Reflektör	-
Lens	Lens	PMMA
Diffuser	Difüzör	PC
CRI		>80
Colour Temperature	Renk Sıcaklığı	3000K-4000K-6500K
Photobiological Risk Group	Fotobiyolojik Risk Grubu	RG01
Beam Angle	Işık Açısı	110°

Electrical Specifications

Elektriksel Özellikler

Input Voltage	Giriş Gerilimi	220-240Vac
Frequency	Frekans	50-60Hz
Class	Sınıf	I
System Lifetime	Sistem Ömrü	>50.000h
Power Factor	Güç Faktörü	>0,95
Operating Temperature	Çalışma Sıcaklığı	-20°C / 45°C
Function Mode	Çalışma Şekli	Maintained / Non-Maintained Sürekli / Kesintide
Charging Indicator	Şarj Göstergesi	-
Discharging Indicator	Deşarj Göstergesi	-
Switch	Anahtar	-
Standards	Standartlar	60598-2-22, LM79, EN 13032, LM80, TM21, EN 62262, EN 60529, 60079-10-1, 60079-10-2
Options	Opsiyonlar	
DALI		-
1-10V		-
Step DIM		-
Electrical Protection	Elektriksel Sınıf	-
RAL Code	RAL Kodu	✓

Code No Ürün Kodu	Type Tip	Power Güç (W)	Battery Batarya	Charging Time Şarj Süresi	Discharging Time Deşarj Süresi	Lum. Flux Işık Akısı (lm)	Colour Temp. Renk Sıcaklığı (K)	Efficacy Etkinlik Faktörü (lm/W)	Dimensions Boyutlar (mm) axbxc	Pcs / Pack Koli Adedi	Pack. Vol. Koli Hacmi (m³)	Pack. Weight Koli Ağırlığı (kg)
109710	Surface Mounted Sıva Üstü	15	3,7V 4500mAh	24h	3h	1500	6500	100	350x117x76	6	0,027	5,5
111644	Recessed Mounted Sıva Altı	15	3,7V 4500mAh	24h	3h	1500	6500	100	350x117x76	6	0,027	5,5
111683	Surface Mounted Sıva Üstü	15	3,7V 4500mAh	24h	3h	1500	6500	100	350x117x218	6	0,027	5,5

Product codes can change by the kelvins, dimensions, or options. Please get in contact with the sales team. Ürün kodları kelvin, boyut ve opsiyonlar için değişebilir. Lütfen satış ekibi ile iletişime geçiniz. Technical values have tolerance +/-%7 by the operating conditions. Teknik sonuçlar çalışma koşullarına bağlı olarak +/-%7 toleransa sahiptir.

All your lighting needs in one address.
Tüm aydınlatma ihtiyaçlarınız için tek adres.

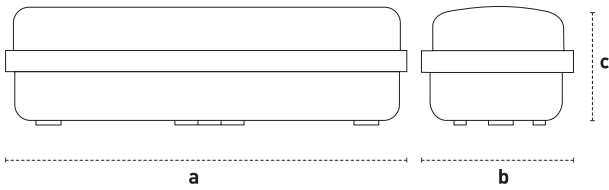


Technical Drawing

Teknik Çizim

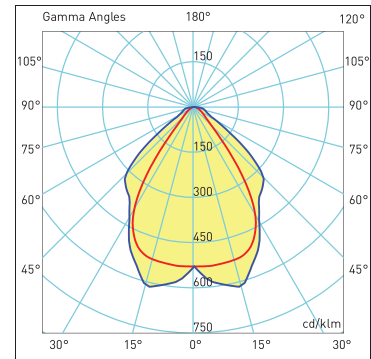
Ausled

109710 / 111644



Light Distribution Curve

Işık Şiddeti Dağılım Eğrisi



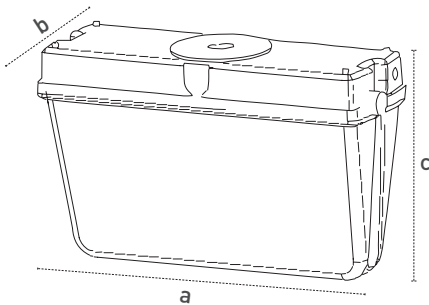
180,0 0,0 270,0 90,0 15W η :1000,0%

Technical Drawing

Teknik Çizim

Rausled

111683



Visit our website for latest product informations and documents.
Güncel ürün bilgi ve belgeleri için web sitemizi ziyaret ediniz.



Ex-Proof Floodlights Ex-Proof Projektörler Elit Lirad



Gas Explosion Proof: ZONE 2
Dust Explosion Proof: ZONE22
II 3G Ex ec IIC T5 Gc
II 3D Ex tc IIIC (T95°C) Dc

Gaz Patlama Koruması: ZONE2
Toz Patlama Koruması: ZONE22
II 3G Ex ec IIC T5 Gc
II 3D Ex tc IIIC (T95°C) Dc



Mechanical Specifications

Mekanik Özellikler

Body	Gövde	GRP
IP Rating	IP Sınıfı	IP65
IK Rating	IK Gövde Sınıfı	IK08
Fire Protection	Alev Koruması	650°C
Cable Gland	Kablo Rakor	M20
Cable	Kablo	3x1,5mm ²
RAL Code	Ral Kodu	1023
Mounting Type	Montaj Tipi	Pole-Ground / Direk-Zemin

Optical Specifications

Optik Özellikler

Light Source	Işık Kaynağı	Power LED
Reflector	Reflektör	Aluminium Alüminyum
Lens	Lens	PMMA
Diffuser	Difüzör	Tempered Glass Temperli Cam
CRI		>70
Colour Temperature	Renk Sıcaklığı	3000K-4000K-6500K
Photobiological Risk Group	Fotobiyolojik Risk Grubu	RG01
Beam Angle	Işık Açısı	Symmetric / Asymmetric Simetrik / Asimetrik

Electrical Specifications

Elektriksel Özellikler

Input Voltage	Giriş Gerilimi	220-240Vac
Frequency	Frekans	50-60Hz
Class	Sınıf	I
System Lifetime	Sistem Ömrü	>50.000h
Power Factor	Güç Faktörü	>0,95
Operating Temperature	Çalışma Sıcaklığı	-20°C / 45°C
Standards	Standartlar	60598-2-5, LM79, EN 13032, LM80, TM21, EN 62262, EN 60529, 60079-10-1, 60079-10-2

Options

Opsiyonlar

DALI		-
1-10V		-
Step DIM		-
1hour Emergency Kit	1 Saat Acil Kit	-
3hour Emergency Kit	3 Saat Acil Kit	-
Electrical Protection	Elektriksel Sınıf	-
Microwave Sensor	Radar Sensör	-
RAL Code	RAL Kodu	✓
Marine Painting	Marin Boya	-

Code No Ürün Kodu	Power Güç (W)	Luminous Flux Işık Akısı (lm)	Colour Temp. Renk Sıcaklığı (K)	Efficacy Etkinlik Faktörü (lm/W)	Dimensions Boyutlar (mm) axbxc	Pcs / Pack Koli Adedi	Package Vol. Koli Hacmi (m ³)	Package Weight Koli Ağırlığı (kg)
109707	50	7000	6500	140	200x295x175	6	0,08	18

Product codes can change by the kelvins, dimensions, or options. Please get in contact with the sales team.

Technical values have tolerance +-7% by the operating conditions.

Ürün kodları kelvin, boyut ve opsiyonlar için değişebilir. Lütfen satış ekibi ile iletişime geçiniz.

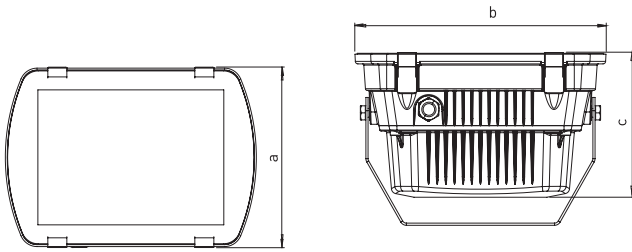
Teknik sonuçlar çalışma koşullarına bağlı olarak +-7% toleransa sahiptir.

All your lighting needs in one address.
Tüm aydınlatma ihtiyaçlarınız için tek adres.



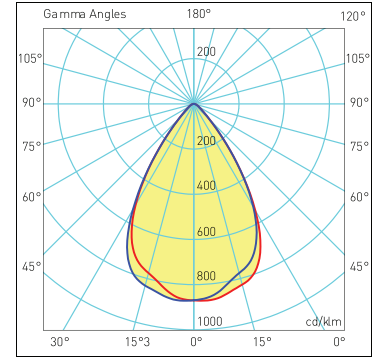
Technical Drawing

Teknik Çizim



Light Distribution Curve

Işık Şiddeti Dağılım Eğrisi



180.0 — 0.0 50W LED η :1000.0 %
270.0 — 90.0



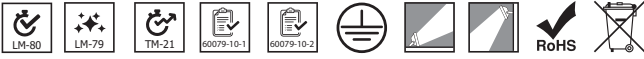
Ex-Proof Floodlights Ex-Proof Projektörler

Nairo



Gas explosion proof: ZONE 2
Dust explosion proof: ZONE22
II 3G Ex ec IIC T5 Gc
II 3D Ex tc IIIC (T95 °C) Dc
Complies with 2014/34/EU ATEX Directive

Gaz patlama koruması: ZONE 2
Toz patlama koruması: ZONE22
II 3G Ex ec IIC T5 Gc
II 3D Ex tc IIIC (T95 °C) Dc
2014/34/EU ATEX direktifine uygun



Code No Ürün Kodu	Power Güç (W)	Luminous Flux Işık Akısı (lm)	Colour Temp. Renk Sıcaklığı (K)	Efficacy Etkinlik Faktörü (lm/W)	Dimensions Boyutlar (mm) axbxc	Pcs / Pack Koli Adedi	Package Vol. Koli Hacmi (m ³)	Package Weight Koli Ağırlığı (kg)
111372	50	8250	6500	165	342x342x121	1	0,0262	8
111371	75	12000	6500	160	342x342x121	1	0,0262	8
111370	100	15500	6500	155	342x342x121	1	0,0262	8
111369	125	19000	6500	152	342x342x121	1	0,0262	8
111368	150	22500	6500	150	342x342x121	1	0,0262	8
111055	200	28600	6500	143	342x342x121	1	0,0262	8

Product codes can change by the kelvins, dimensions, or options. Please get in contact with the sales team. Ürün kodları kelvin, boyut ve opsiyonlar için değişebilir. Lütfen satış ekibi ile iletişime geçiniz. Technical values have tolerance +-7% by the operating conditions. Teknik sonuçlar çalışma koşullarına bağlı olarak +-7% toleransa sahiptir.

Mechanical Specifications Mekanik Özellikler

Body	Gövde	Aluminium	Alüminyum
IP Rating	IP Sınıfı	IP66	
IK Rating Body	IK Gövde Sınıfı	IK08	
Fire Protection	Alev Koruması	650°C	
Cable Gland	Kablo Rakor	PG11	
Cable	Kablo	3x1,5mm ²	
RAL Code	Ral Kodu	1023	
Mounting Type	Montaj Tipi	Pole / Ground	Direk / Zemin

Optical Specifications Optik Özellikler

Light Source	Işık Kaynağı	Power LED	
Reflector	Reflektör	-	
Lens	Lens	PMMA	
Diffuser	Difüzör	Tempered Glass	Temperli Cam
CRI		>70	
Colour Temperature	Renk Sıcaklığı	3000K / 4000K / 6500K	
Photobiological Risk Group	Fotobiyolojik Risk Grubu	RG1	
Beam Angle	Işık Açısı	30° / 60° / 90°	

Electrical Specifications Elektriksel Özellikler

Input Voltage	Giriş Gerilimi	220-240Vac	
Frequency	Frekans	50-60Hz	
Class	Sınıf	I	
System Lifetime	Sistem Ömrü	>50.000h	
Power Factor	Güç Faktörü	>0,95	
Operating Temperature	Çalışma Sıcaklığı	-20°C / +55°C	
Standards	Standartlar	EN60598-2-5, EN62262, EN60529, EN13032, LM79, LM80, 60079-10-1, 60079-10-2	

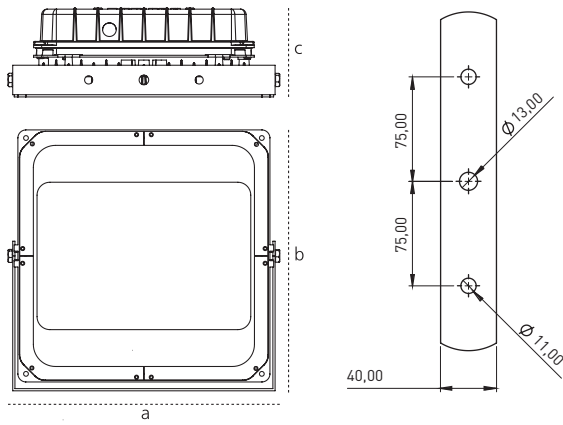
Options Opsiyonlar

DALI		-	
1-10V		-	
Step DIM		-	
1hour Emergency Kit	1 Saat Acil Kit	-	
3hour Emergency Kit	3 Saat Acil Kit	-	
Electrical Protection	Elektriksel Sınıf	-	
Microwave Sensor	Radar Sensör	-	
RAL Code	RAL Kodu	✓	
Marine Painting	Marin Boya	-	



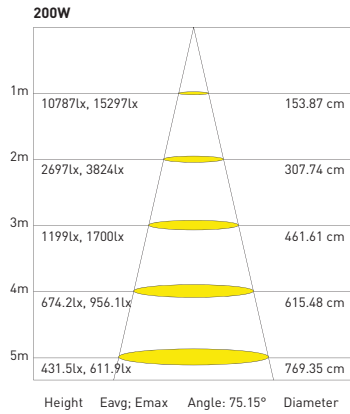
Technical Drawing

Teknik Çizim



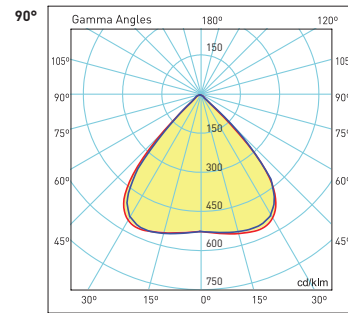
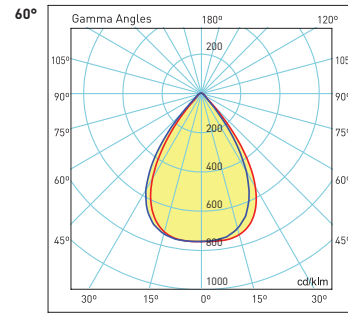
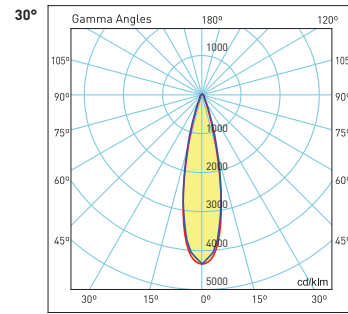
Cone Diagram

Konik Diagram



Light Distribution Curve

Işık Şiddeti Dağılım Eğrisi



Ex-Proof Road & Street Luminaires

Ex-Proof Yol & Cadde Armatürler

Nairo



Gas explosion proof: ZONE 2

Dust explosion proof: ZONE22

II 3G Ex ec IIC T5 Gc

II 3D Ex tc IIIC (T95 °C) Dc

Complies with 2014/34/EU ATEX Directive

Gaz patlama koruması: ZONE 2

Toz patlama koruması: ZONE22

II 3G Ex ec IIC T5 Gc

II 3D Ex tc IIIC (T95 °C) Dc

2014/34/EU ATEX direktifine uygun



Mechanical Specifications

Mekanik Özellikler

Body	Gövde	Aluminium	Alüminyum
IP Rating	IP Sınıfı	IP66	
IK Rating Body	IK Gövde Sınıfı	IK08	
Fire Protection	Alev Koruması	650°C	
Cable Gland	Kablo Rakor	PG11	
Cable	Kablo	3x1,5mm ²	
RAL Code	Ral Kodu	1023	
Mounting Type	Montaj Tipi	Pole	Direk

Optical Specifications

Optik Özellikler

Light Source	Işık Kaynağı	Power LED	
Reflector	Reflektör	-	
Lens	Lens	PMMA	
Diffuser	Difüzör	Tempered Glass	Temperli Cam
CRI		>70	
Colour Temperature	Renk Sıcaklığı	3000K / 4000K / 6500K	
Photobiological Risk Group	Fotobiyolojik Risk Grubu	RG1	
Beam Angle	Işık Açısı	Asymmetric	Asimetrik

Electrical Specifications

Elektriksel Özellikler

Input Voltage	Giriş Gerilimi	220-240Vac	
Frequency	Frekans	50-60Hz	
Class	Sınıf	I	
System Lifetime	Sistem Ömrü	>50.000h	
Power Factor	Güç Faktörü	>0,95	
Operating Temperature	Çalışma Sıcaklığı	-20°C / +55°C	
Standards	Standartlar	EN60598-2-3, EN62262, EN60529, EN13032, LM79, LM80, 60079-10-1, 60079-10-2	

Options

Opsiyonlar

DALI		-	
1-10V		-	
Step DIM		-	
1hour Emergency Kit	1 Saat Acil Kit	-	
3hour Emergency Kit	3 Saat Acil Kit	-	
Electrical Protection	Elektriksel Sınıf	-	
Microwave Sensor	Radar Sensör	-	
RAL Code	RAL Kodu	✓	
Marine Painting	Marin Boya	-	

Code No Ürün Kodu	Power Güç (W)	Luminous Flux Işık Akısı (lm)	Colour Temp. Renk Sıcaklığı (K)	Efficacy Etkinlik Faktörü (lm/W)	Dimensions Boyutlar (mm) axbxc	Console Entry Konsol Girişi (mm)	Pcs / Pack Koli Adedi	Package Vol. Koli Hacmi (m ³)	Package Weight Koli Ağırlığı (kg)
111367	50	8100	4000	162	485x152x352	42-60	1	0,034	8
111366	75	11775	4000	157	485x152x352	42-60	1	0,034	8
111365	100	15200	4000	152	485x152x352	42-60	1	0,034	8
111364	125	18625	4000	149	485x152x352	42-60	1	0,034	8
111363	150	21900	4000	146	485x152x352	42-60	1	0,034	8
111362	200	28000	4000	140	485x152x352	42-60	1	0,034	8

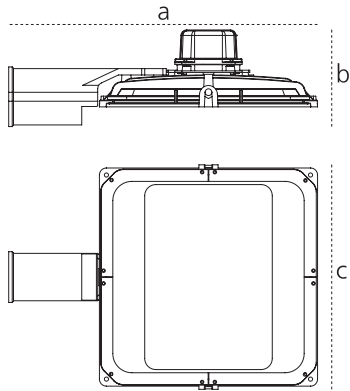
Product codes can change by the kelvins, dimensions, or options. Please get in contact with the sales team. Ürün kodları kelvin, boyut ve opsiyonlar için değişebilir. Lütfen satış ekibi ile iletişime geçiniz. Technical values have tolerance +-7% by the operating conditions. Teknik sonuçlar çalışma koşullarına bağlı olarak +-7% toleransa sahiptir.

All your lighting needs in one address.
Tüm aydınlatma ihtiyaçlarınız için tek adres.



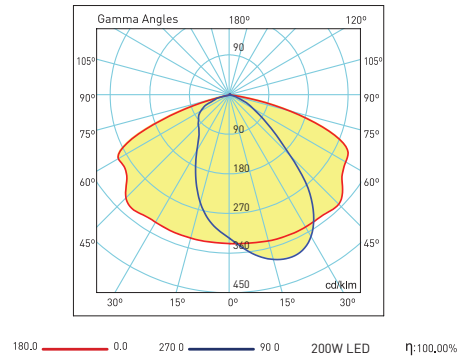
Technical Drawing

Teknik Çizim



Light Distribution Curve

Işık Şiddeti Dağılım Eğrisi



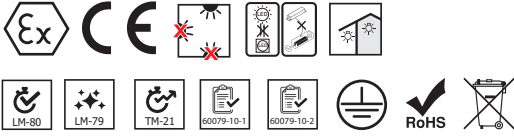
Ex-Proof Canopy Ex-Proof Kanopi

Piroliz



Gas explosion proof: ZONE 2
Dust explosion proof: ZONE22
II 3G Ex ec IIC T5 Gc
II 3D Ex tc IIIC (T95 °C) Dc
Complies with 2014/34/EU ATEX Directive

Gaz patlama koruması: ZONE 2
Toz patlama koruması: ZONE22
II 3G Ex ec IIC T5 Gc
II 3D Ex tc IIIC (T95 °C) Dc
2014/34/EU ATEX direktifine uygun



Mechanical Specifications Mekanik Özellikler

Body	Gövde	Aluminium	Alüminyum
IP Rating	IP Sınıfı	IP66	
IK Rating Body	IK Gövde Sınıfı	IK08	
Fire Protection	Alev Koruması	650°C	
Cable Gland	Kablo Rakor	PG11	
Cable	Kablo	3x1,5mm ²	
RAL Code	Ral Kodu	1023	
Mounting Type	Montaj Tipi	Recessed Mounted	Sıva Altı

Optical Specifications Optik Özellikler

Light Source	Işık Kaynağı	Power LED	
Reflector	Reflektör	-	
Lens	Lens	30° / 60° / 90°	
Diffuser	Difüzör	Tempered Glass	Temperli Cam
CRI		>70	
Colour Temperature	Renk Sıcaklığı	3000K / 4000K / 6500K	
Photobiological Risk Group	Fotobiyolojik Risk Grubu	RG1	
Beam Angle	Işık Açısı	Symmetric	Simetrik

Electrical Specifications Elektriksel Özellikler

Input Voltage	Giriş Gerilimi	220-240Vac	
Frequency	Frekans	50-60Hz	
Class	Sınıf	I	
System Lifetime	Sistem Ömrü	>50.000h	
Power Factor	Güç Faktörü	>0,95	
Operating Temperature	Çalışma Sıcaklığı	-20°C / +55°C	
Standards	Standartlar	EN60598-2-2, EN62262, EN60529, EN13032, LM79, LM80, 60079-10-1, 60079-10-2	

Options Opsiyonlar

DALI		-	
1-10V		-	
Step DIM		-	
1hour Emergency Kit	1 Saat Acil Kit	-	
3hour Emergency Kit	3 Saat Acil Kit	-	
Electrical Protection	Elektriksel Sınıf	-	
Microwave Sensor	Radar Sensör	-	
RAL Code	RAL Kodu	✓	
Marine Painting	Marin Boya	-	

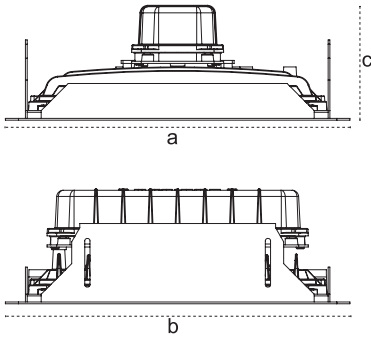
Code No Ürün Kodu	Power Güç (W)	Luminous Flux Işık Akısı (lm)	Colour Temp. Renk Sıcaklığı (K)	Efficacy Etkinlik Faktörü (lm/W)	Dimensions Boyutlar (mm) axbxc	Pcs / Pack Koli Adedi	Package Vol. Koli Hacmi (m ³)	Package Weight Koli Ağırlığı (kg)
111376	50	8250	6500	165	395x385x132	1	0,0243	8
111375	75	12000	6500	160	395x385x132	1	0,0243	8
111374	100	15500	6500	155	395x385x132	1	0,0243	8
111382	125	19000	6500	152	395x385x132	1	0,0243	8
111373	150	22500	6500	150	395x385x132	1	0,0243	8
111056	200	28600	6500	143	395x385x132	1	0,0243	8

Product codes can change by the kelvins, dimensions, or options. Please get in contact with the sales team. Ürün kodları kelvin, boyut ve opsiyonlar için değişebilir. Lütfen satış ekibi ile iletişime geçiniz. Technical values have tolerance +-7% by the operating conditions. Teknik sonuçlar çalışma koşullarına bağlı olarak +-7% toleransa sahiptir.

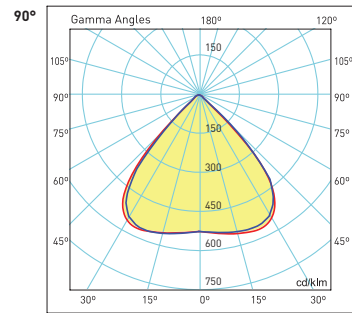
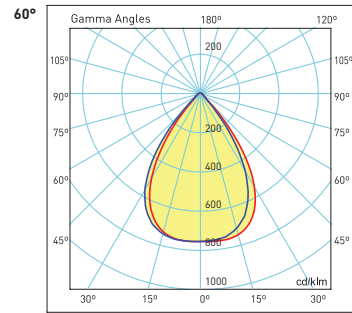
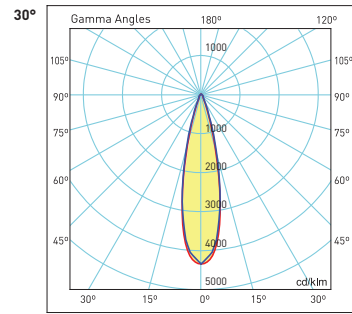
All your lighting needs in one address.
Tüm aydınlatma ihtiyaçlarınız için tek adres.



Technical Drawing
Teknik Çizim



Light Distribution Curve
Işık Şiddeti Dağılım Eğrisi



Visit our website for latest product informations and documents.
Güncel ürün bilgi ve belgeleri için web sitemizi ziyaret ediniz.

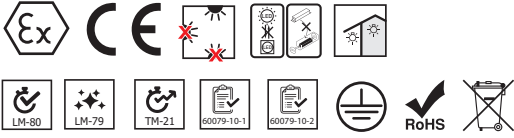


Ex-Proof Highbay Ex-Proof Yüksek Tavan Sia



Gas explosion proof: ZONE 2
Dust explosion proof: ZONE22
II 3G Ex ec IIC T5 Gc
II 3D Ex tc IIIC (T95 °C) Dc
Complies with 2014/34/EU ATEX Directive

Gaz patlama koruması: ZONE 2
Toz patlama koruması: ZONE22
II 3G Ex ec IIC T5 Gc
II 3D Ex tc IIIC (T95 °C) Dc
2014/34/EU ATEX direktifine uygun



Mechanical Specifications Mekanik Özellikler

Body	Gövde	Aluminium	Alüminyum
IP Rating	IP Sınıfı	IP66	
IK Rating	IK Gövde Sınıfı	IK08	
Fire Protection	Alev Koruması	650°C	
Cable Gland	Kablo Rakor	PG11	
Cable	Kablo	3x1,5mm ²	
RAL Code	Ral Kodu	1023	
Mounting Type	Montaj Tipi	Surface Mounted	Sıva Üstü

Optical Specifications Optik Özellikler

Light Source	Işık Kaynağı	Power LED	
Reflector	Reflektör	-	
Lens	Lens	PMMA	
Diffuser	Difüzör	Tempered Glass	Temperli Cam
CRI		>70	
Colour Temperature	Renk Sıcaklığı	3000K / 4000K / 6500K	
Photobiological Risk Group	Fotobiyolojik Risk Grubu	RG1	
Beam Angle	Işık Açısı	30° / 60° / 90°	

Electrical Specifications Elektriksel Özellikler

Input Voltage	Giriş Gerilimi	220-240Vac	
Frequency	Frekans	50-60Hz	
Class	Sınıf	I	
System Lifetime	Sistem Ömrü	>50.000h	
Power Factor	Güç Faktörü	>0,95	
Operating Temperature	Çalışma Sıcaklığı	-20°C / +55°C	
Standards	Standartlar	EN60598-2-1, EN62262, EN60529, EN13032, LM79, LM80, 60079-10-1, 60079-10-2	

Options Opsiyonlar

DALI		-	
1-10V		-	
Step DIM		-	
1hour Emergency Kit	1 Saat Acil Kit	-	
3hour Emergency Kit	3 Saat Acil Kit	-	
Electrical Protection	Elektriksel Sınıf	-	
Microwave Sensor	Radar Sensör	-	
RAL Code	RAL Kodu	✓	
Marine Painting	Marin Boya	-	

Code No Ürün Kodu	Power Güç (W)	Luminous Flux Işık Akısı (lm)	Colour Temp. Renk Sıcaklığı (K)	Efficacy Etkinlik Faktörü (lm/W)	Dimensions Boyutlar (mm) axbxc	Pcs / Pack Koli Adedi	Package Vol. Koli Hacmi (m ³)	Package Weight Koli Ağırlığı (kg)
111381	50	8250	6500	165	342x342x160	1	0,018	8
111380	75	12000	6500	160	342x342x160	1	0,018	8
111379	100	15500	6500	155	342x342x160	1	0,018	8
111378	125	19000	6500	152	342x342x160	1	0,018	8
111377	150	22500	6500	150	342x342x160	1	0,018	8
111053	200	28600	6500	143	342x342x160	1	0,018	8

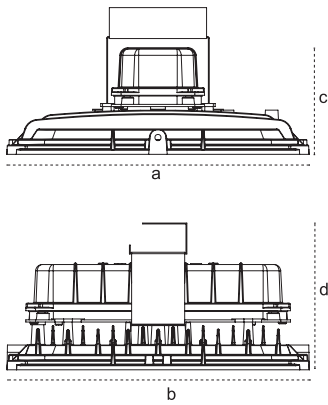
Product codes can change by the kelvins, dimensions, or options. Please get in contact with the sales team. Ürün kodları kelvin, boyut ve opsiyonlar için değişebilir. Lütfen satış ekibi ile iletişime geçiniz. Technical values have tolerance +-7% by the operating conditions. Teknik sonuçlar çalışma koşullarına bağlı olarak +-7% toleransa sahiptir.

All your lighting needs in one address.
Tüm aydınlatma ihtiyaçlarınız için tek adres.



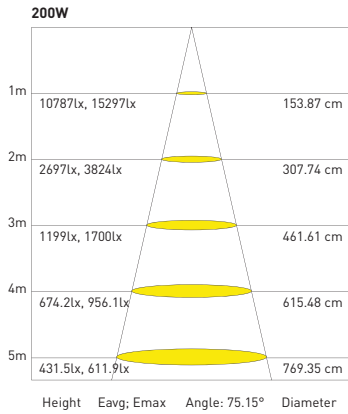
Technical Drawing

Teknik Çizim



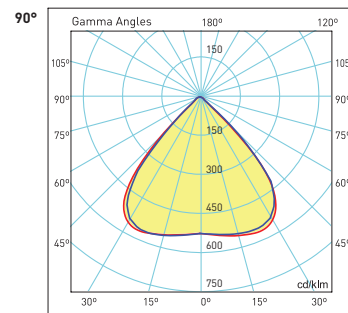
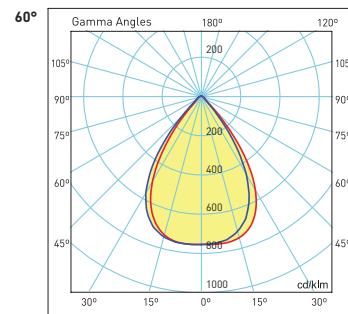
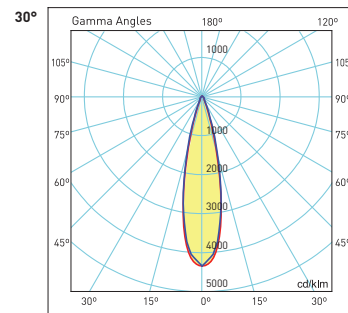
Cone Diagram

Konik Diagram



Light Distribution Curve

Işık Şiddeti Dağılım Eğrisi



Pelsan



All your lighting needs in one address.
Tüm aydınlatma ihtiyaçlarınız için tek adres.



www.pelsan.com.tr
info@pelsan.com.tr | export@pelsan.com.tr

HEAD OFFICE
GENEL MERKEZ

Çerkeşli O.S.B.
İmes 5. Cadde No:12
Dilovası / Kocaeli - TÜRKİYE



/PelsanAydınlatma



pelsan-aydinlatma



pelsan aydinlatma



/pelsanaydinlatma



/PelsanLight

T : +9(0850) 460 75 76
F : +9(0216) 364 60 15